

 **WARNING**

To avoid unpredictable system behavior that can cause personal injury and property damage:

- Disconnect electrical supply (when necessary) before installation, servicing, or conversion.
- Disconnect air supply and depressurize all air lines connected to this product before installation, servicing, or conversion.
- Operate within the manufacturer's specified pressure, temperature, and other conditions listed in these instructions.
- Medium must be moisture-free if ambient temperature is below freezing.
- Service according to procedures listed in these instructions.
- Installation, service, and conversion of these products must be performed by knowledgeable personnel who understand how pneumatic products are to be applied.
- After installation, servicing, or conversion, air and electrical supplies (when necessary) should be connected and the product tested for proper function and leakage. If audible leakage is present, or the product does not operate properly, do not put into use.
- Warnings and specifications on the product should not be covered by paint, etc. If masking is not possible, contact your local representative for replacement labels.

 **WARNING**

Air exhausting from one valve into the exhaust gallery of the manifold assembly may momentarily pressurize other valve circuits open to the same gallery. Design the circuit such that there is no hazard or consequence of damage from this action.

**Safety Guide**

For more complete information on recommended application guidelines, see the Safety Guide section of Pneumatic Division catalogs or you can download the **Pneumatic Division Safety Guide** at: [www.parker.com/safety](http://www.parker.com/safety)

 **WARNING**

**FAILURE OR IMPROPER SELECTION OR IMPROPER USE OF THE PRODUCTS AND/OR SYSTEMS DESCRIBED HEREIN OR RELATED ITEMS CAN CAUSE DEATH, PERSONAL INJURY AND PROPERTY DAMAGE.**

This document and other information from Parker Hannifin Corporation, its subsidiaries and authorized distributors provide product and/or system options for further investigation by users having technical expertise. It is important that you analyze all aspects of your application, including consequences of any failure and review the information concerning the product or systems in the current product catalog. Due to the variety of operating conditions and applications for these products or systems, the user, through its own analysis and testing, is solely responsible for making the final selection of the products and systems and assuring that all performance, safety and warning requirements of the application are met.

The products described herein, including without limitation, product features, specifications, designs, availability and pricing, are subject to change by Parker Hannifin Corporation and its subsidiaries at any time without notice.

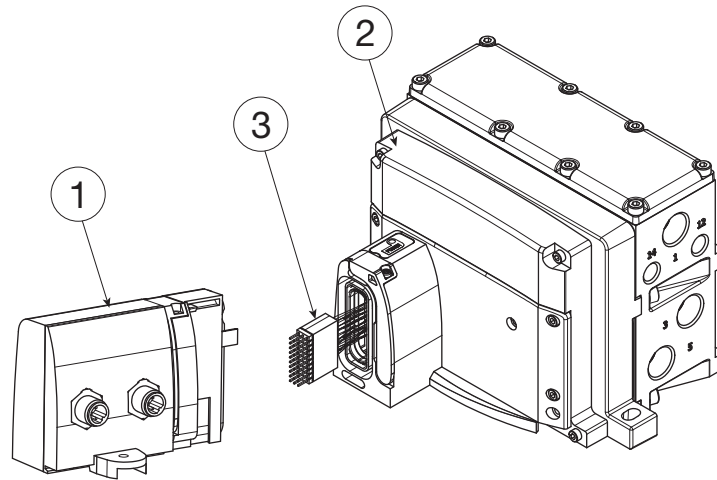
**EXTRA COPIES OF THESE INSTRUCTIONS ARE AVAILABLE FOR INCLUSION IN EQUIPMENT / MAINTENANCE MANUALS THAT UTILIZE THESE PRODUCTS. CONTACT YOUR LOCAL REPRESENTATIVE.**

**Introduction**

Follow these instructions when installing, operating, or servicing the product.

**Application Limits**

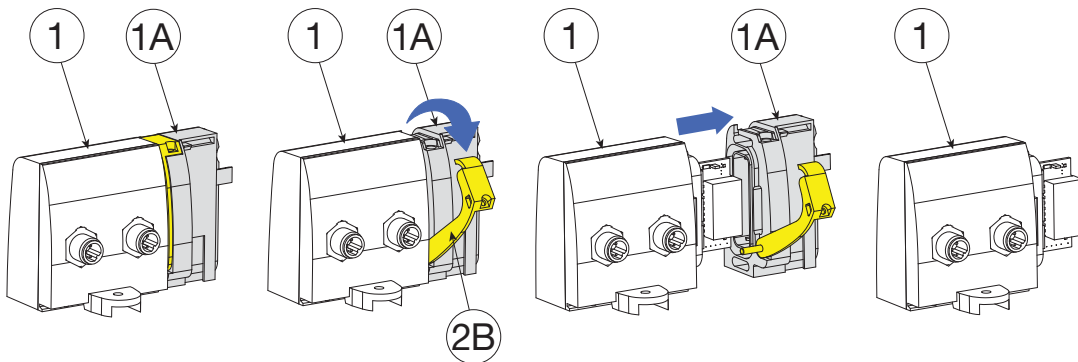
These products are intended for use in general purpose compressed air systems only. Compliance with the rated pressure, temperature, and voltage is necessary.



**Assembly Techniques**

1. The P2M Node assembly requires both the P2M Communication Node (Item 1), and the H Universal Left Endplate with the P2M adapter (Item 2).
2. Prepare the P2M Communication Node (Item 1) for assembly.
  - a. The P2M Communication Node (Item 1) ships with an extra component that is not required for this product line (Item 1A)
  - b. Prior to assembly it is necessary to remove (Item 1A). In order to remove, pull the yellow latch (Item 2B), remove and discard the extra component as displayed below.

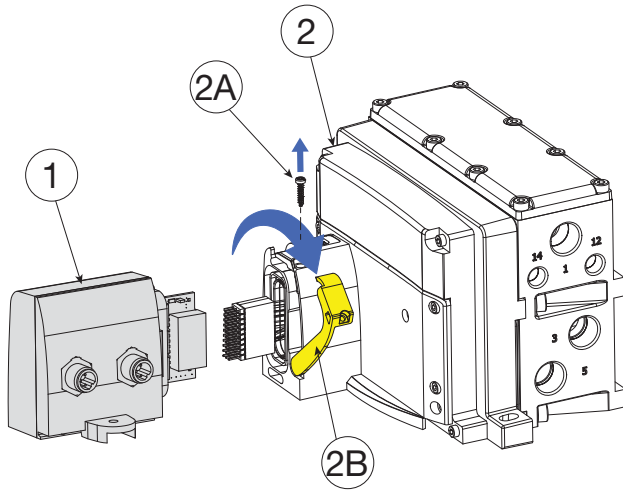
Item Number	Description
1	P2M Communication Node
2	H Universal Left Endplate with P2M Adapter
2A	P2M Adapter Screw (Torx 7)
2B	P2M Adapter Latch
3	P2M Node to Universal Wire Harness



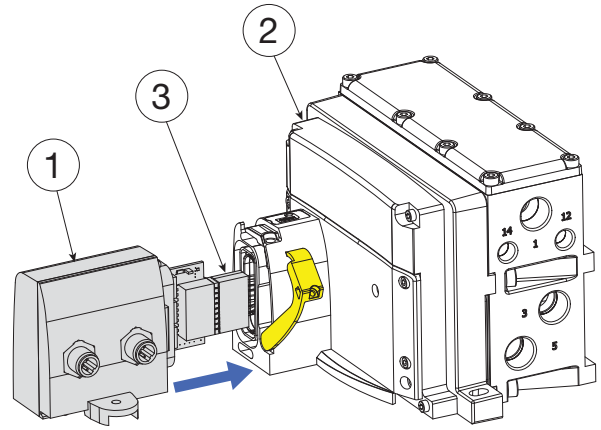
## H Series with P2M Node

V752P

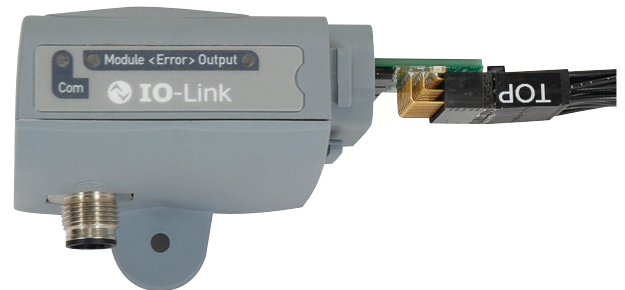
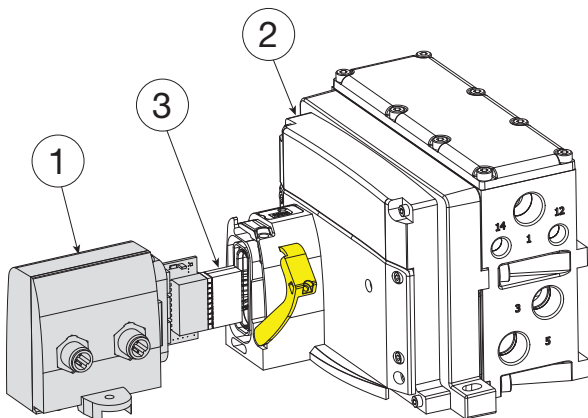
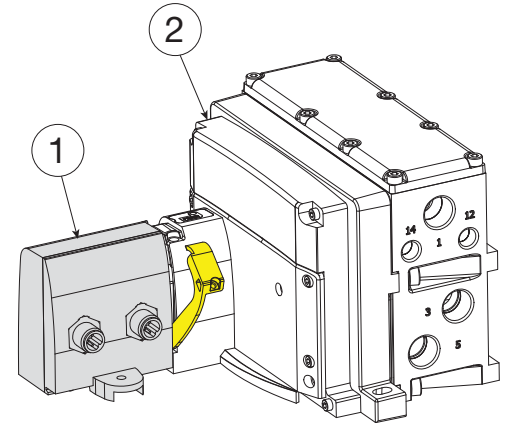
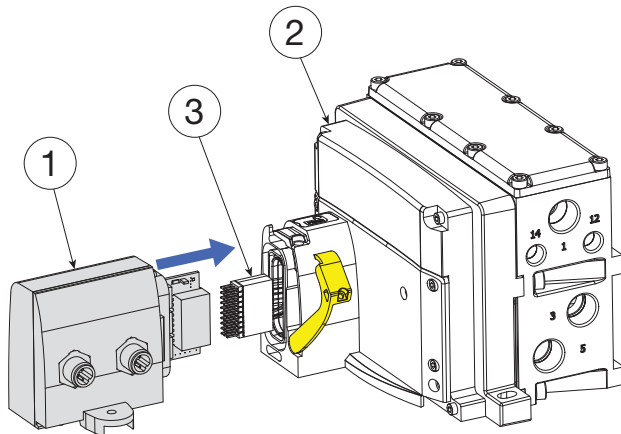
3. Prepare the left endplate (Item 2) for the assembly of the P2M Communication Node (Item 1) by pulling the yellow latch (Item 2B) and removing and setting aside the screw (Item 2A) as shown below.



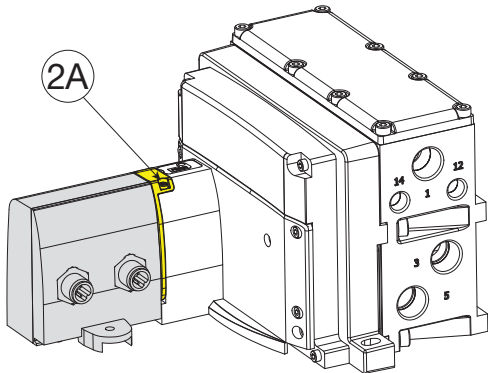
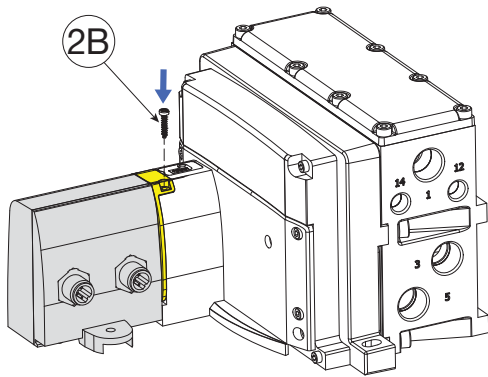
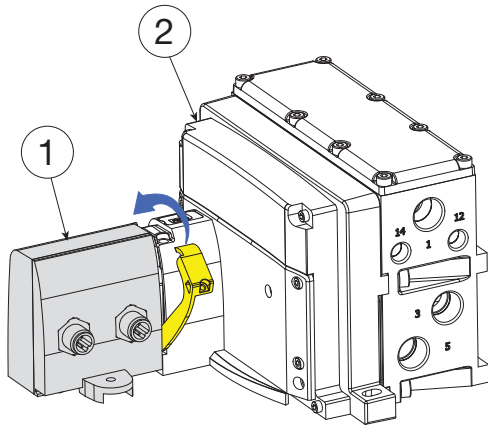
5. Push the P2M Communication Node (Item 1) fully into the H Universal left endplate.



4. Plug the H Universal Wire Harness (Item 3) into the P2M Communication Node (Item 1).



6. Assemble the latch (Item 2B) back over the P2M Communication Node (Item 1) and assemble the screw (Item 2A) back through the hole, hand tighten with screwdriver.



**For all Instruction Sheets, go to [www.parker.com/pneumatic](http://www.parker.com/pneumatic)**

V450P - H Series HA 26mm & HB 18mm ISO 15407-2 Valve Service  
 V452P - H Series HA & HB ISO 15407-2 Sandwich Flow Controls  
 V454P - H Series HA & HB Sandwich Regulators  
 V467P - H Series H1 Sandwich Regulators  
 V468P - H Series H1, H2 & H3, ISO 5599-1, 5599-2 Sandwich Flow Controls  
 V470P - H Series H1, H2 & H3, ISO 5599-1, 5599-2 Valve Service  
 V471P - H Series H2 & H3 Sandwich Regulators

V751P - H Series, Terminal Block  
 V752P - H Series, P2M Node  
 V753P - H Series, Turck Network  
 V754P - H Series, H Series Network  
 V755P - H Series, Multi Pin  
 V756P - H Series, Manifold Installation  
 V757P - H Series, P2H IO-Link Module