



Model BERT-E Pulse Input Rate/Totalizer

Description

The Brodie BERT-E is a rugged, explosion-proof pulse input rate/totalizer fully featured for demanding applications in hazardous areas or in the harshest environmental conditions. It can be programmed using the four SafeTouch® through glass buttons, without removing the cover, or with four internal push-buttons. The numeric rate display will read up to five digits and the alphanumeric total/tag display will read up to 7 digits, 12 digits with the total overflow feature. The alphanumeric display can also be programmed to show any combination of numbers and letters up to seven characters long for use as engineering units and/or the process identification tag. The backlight makes the display more visible under any lighting condition. The enclosure is provided with threaded conduit holes and integrated pipe or wall mounting slotted flanges.

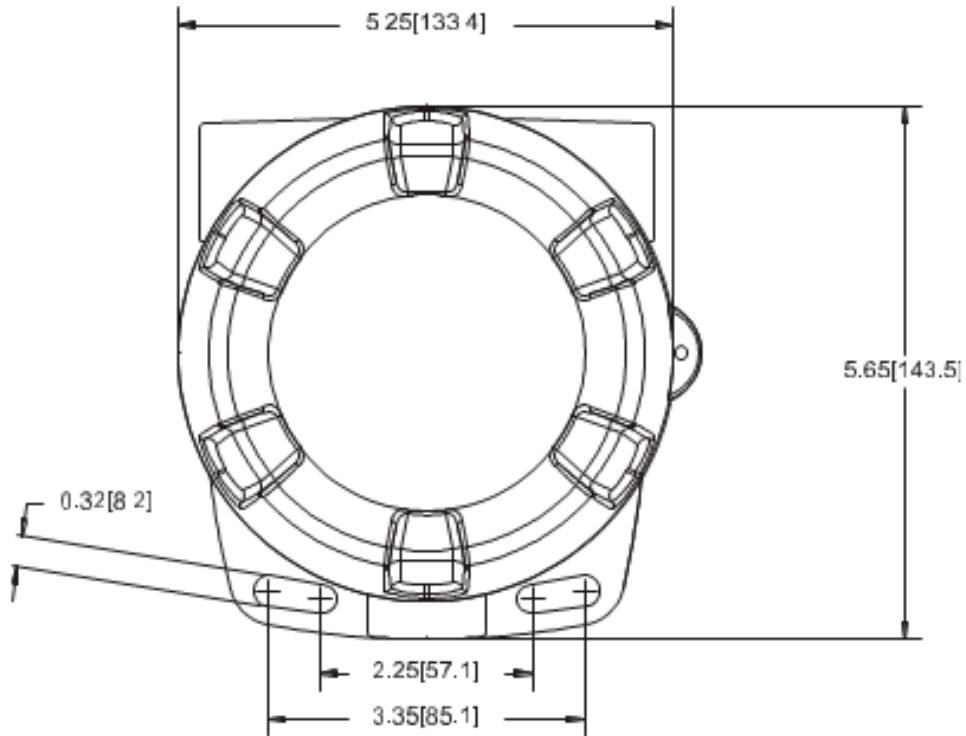


Design Features

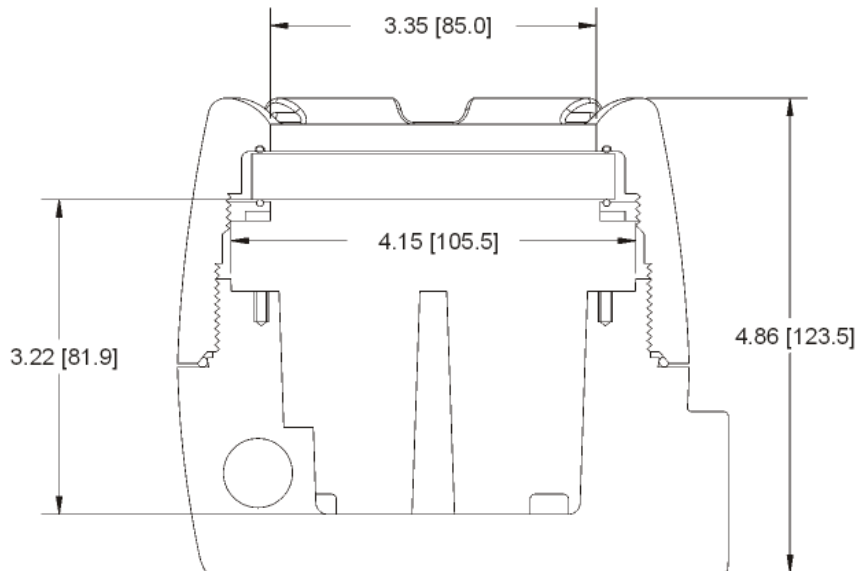
- Pulse, Open Collector, NPN, PNP, TTL, Switch Contact, Sine Wave (Coil), Square Wave, Opto-Isolated Inputs
- Explosion-Proof, IP68, NEMA 4X Enclosure
- Isolated 4-20 mA Output for Either Rate, Total, or Grand Total
- 5-Digit Rate, 0.7" (17.8 mm)
- 7 Alphanumeric Character Total/Tag, 0.4" (10.2 mm)
- 12-Digit Totalizer with Total Overflow Feature
- SafeTouch® Through-Glass Button Programming
- Battery, DC, or Output Loop-Powered Models
- Two Isolated Open Collector Pulse Outputs, Up to 5 kHz
- Gate Function for Rate Display of Slow Pulse Rates
- K-Factor, Scaling, or Live Input Calibration with 32-Point Linearization
- Automatic Unit Conversions
- Password Protection
- Backlight Standard on All Models
- Operates from -40 to 75°C (-20 to 75°C on Battery Models)
- Data Logging Functions and Modbus® Accessible Data

Dimensions (For Certified Dimensional Prints - Consult Factory)

Enclosure Dimensions – Front View



Enclosure Dimensions – Side Cross Section View



Brodie International
19267 Highway 301 North • Statesboro, GA 30461
Phone: 001.912.489.0200 • Fax: 001.912.489.0294
A Brodie Meter Co., LLC Company
www.brodieintl.com

The contents of this publication are presented for informational purposes only, and while every effort has been made to ensure their accuracy, they are not to be construed as warranties or guarantees, express or implied, regarding the products or services described herein or their use or applicability. Brodie Meter Co., LLC reserves the right to modify or improve the designs or specifications of such products at any time without notice.