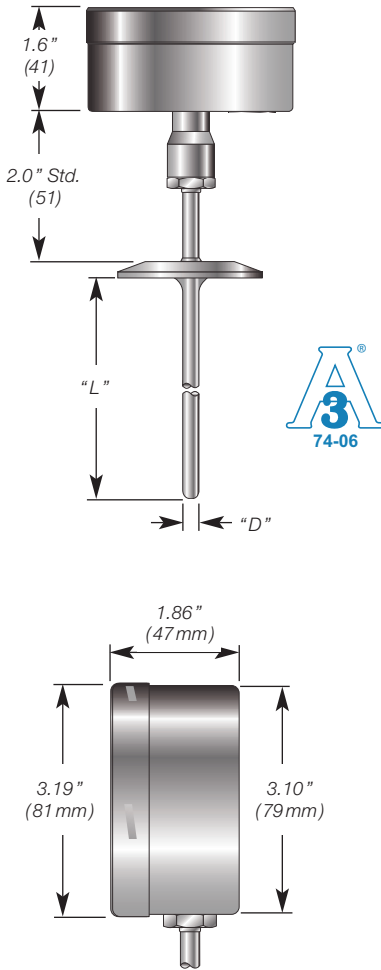


# Model DTG88

LCD Digital Temperature Gauge  
Battery Powered, Back Mounting w/Sanitary Fitting



## Custom Builder



MODEL      1      2      3      4      5      6      7

**DTG88** -  -  -  -  -  -  -

BOX1 CODE	Temperature Range
CL	Low Temperature, display °C -50 to 200°C
FL	Low Temperature, display °F -58/392°F

**Note :**

DTGs are factory calibrated to an accuracy of  
± (0.2 + 0.002 x |T|) °C  
± (0.36 + 0.002 x |T-32|) °F

BOX5 CODE	Fitting Type
T10	Hygienic clamp union, 1"
T15	Hygienic clamp union, 1.5"
T20	Hygienic clamp union, 2"
T25	Hygienic clamp union, 2.5"
T30	Hygienic clamp union, 3"

**Note:** Fitting material is stainless steel SS316

BOX2 CODE	Output
0	No Output

BOX6 CODE	Surface Finish
SF	32 µ-in (0.8 µm) Ra max. or better
F1	20 µ-in (0.5 µm) Ra max., w/o EP
F4	15 µ-in (0.4 µm) Ra max., with EP

BOX3 CODE	Probe Dia. "D" & Material
D	1/4" (6.3mm), Stainless steel 316
F	3/8" (9.5 mm), Stainless steel 316
H	1/2"(12.7 mm), Stainless steel 316
PS	6.0 mm (0.236"), Stainless steel 316
RS	8.0 mm (0.315"), Stainless steel 316

BOX7 CODE	Options
N	No Options
C1	Calibration certificate, NIST traceable, 1 point, 0°C (32°F)
C2	Calibration certificate, NIST traceable, 2 points, 0.0°C (32.0°F) & 100.0°C (212.0°F)
CC	Calibration certificate, NIST traceable, specify points

BOX4 CODE	Probe Length "L"
---	In 0.1" increments Ex.: <b>065</b> = 6.5"(165mm) long <b>120</b> = 12.0"(305mm) long
M---	In millimeters Ex.: <b>M230</b> = 230mm long

## Stock Items

- DTG88 w/LCD display, "CL" or "FL" range
- Factory calibrated to accuracy of ± (0.2 + 0.002 x |T|) °C  
± (0.36 + 0.002 x |T-32|) °F
- Operating temperature range of -50 to 200°C (-58 to 392°F)
- Battery Operated 5 year life span
- Probe 1/4"(6.35mm) diameter stainless 316
- Fitting 1-1/2" Tri-Clamp
- Probe lengths available are 2.5", 4", 6", 9" and 12"
- Surface Finish 32 µ-in Ra max. or better

## Ordering Information

Model Part Number	Description
DTG88-CL-0-D-025-T15-SF-N	Low temperature, display °C (-50 to 200°C), 2.5" (63 mm) probe length
DTG88-FL-0-D-025-T15-SF-N	Low temperature, display °F (-58/392°F), 2.5" (63 mm) probe length
DTG88-CL-0-D-040-T15-SF-N	Low temperature, display °C (-50 to 200°C), 4.0" (102 mm) probe length
DTG88-FL-0-D-040-T15-SF-N	Low temperature., display °F (-58/392°F), 4.0" (102 mm) probe length
DTG88-CL-0-D-060-T15-SF-N	Low temperature, display °C (-50 to 200°C), 6.0" (152 mm) probe length
DTG88-FL-0-D-060-T15-SF-N	Low temperature, display °F (-58/392°F), 6.0" (152 mm) probe length
DTG88-CL-0-D-090-T15-SF-N	Low temperature, display °C (-50 to 200°C), 9.0" (229 mm) probe length
DTG88-FL-0-D-090-T15-SF-N	Low temperature., display °F (-58/392°F), 9.0" (229 mm) probe length
DTG88-CL-0-D-120-T15-SF-N	Low temperature, display °C (-50 to 200°C), 12.0" (305 mm) probe length
DTG88-FL-0-D-120-T15-SF-N	Low temperature, display °F (-58/392°F), 12.0" (305 mm) probe length