

Instruction Manual Addendum

PROVU[®] Series Meters



PROVU[®]
SERIES

INTRODUCTION

This temporary instruction manual addendum details features and programming menus to the PROVU Series of meters not detailed in the instruction manual. These changes are implemented on all PROVU meters with software v3.0. This temporary document is to be used in addition to the included PROVU Instruction Manual and only errors and omissions are detailed in this document.

Additional Display Functions & Messages

The *Reset tare* and *Unit* menu display messages are missing from the summaries of meter programming parameters.

Display	Parameter	Action/Setting Description
rESEt	Reset	Press Enter to access the <i>Reset</i> menu
rSt tr	Reset tare	Reset tare
SEtUP	Setup	Enter <i>Setup</i> menu
inPut	Input	Enter <i>Input</i> selection menu
un it	Unit	Select the display unit/tag
round	Round	Set the rounding value for the display

Main Menu Addendum

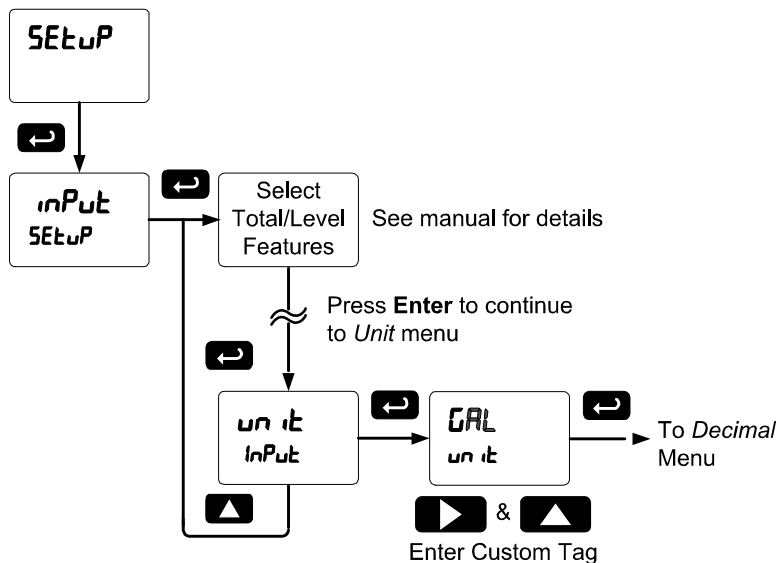
The following features and menus are present in the main menu structure of the meter.

Reset Menu Tare Selection (rESEt, rSt tR)

The tare value used to zero the display may be reset by selecting “reset tare” (rSt tR) from the *Reset* menu.

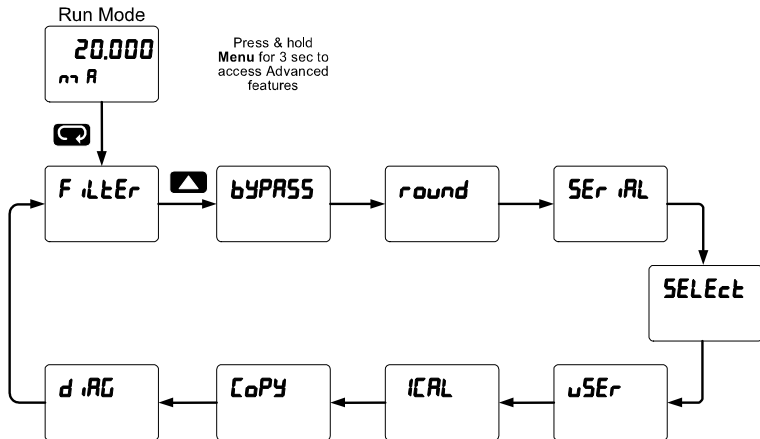
Setting the Input Unit or Custom Tag (un it)

The *Unit* menu for programming engineering units and tags is located in the *Setup, Input* menu. The unit programmed in this menu will be used when *d un it*, *d r-u*, or any selection requiring a unit or tag display is selected in the *Display* menu.



Advanced Features Menu Addendum

The following features and menus are present in the *Advanced* features menu of the meter.



Rounding Feature (*round*)

The rounding feature is used to give the user a steadier display with fluctuating signals. Rounding is used in addition to the filter function.

Rounding causes the display to round to the nearest value according the rounding selected. See examples below:

Rounding Selection	Actual Value	Display Value	Actual Value	Display Value
1	12.022	12.022	12.023	12.023
5	12.022	12.020	12.023	12.025
10	12.024	12.020	12.025	12.030

Programmable Function Keys Errata (u5Er)

The following errors are in the *User* menu table of programmable function key and digital I/O selections. The corrected meter displays and original manual listing are both shown below.

Function Keys & Digital I/O Settings Errata

Actual Display	Original Listing	Description
LRrE	LRrE	Capture tare
rSt Er	LRrESr	Reset tare

How to Contact Precision Digital

- For Technical Support please
Call: (800) 610-5239 or (508) 655-7300
Fax: (508) 655-8990
Email: support@predig.com
- For Sales Support or to place an order please contact your local distributor or
Call: (800) 343-1001 or (508) 655-7300
Fax: (508) 655-8990
Email: sales@predig.com
- For the latest version of this manual please visit **www.predig.com**

