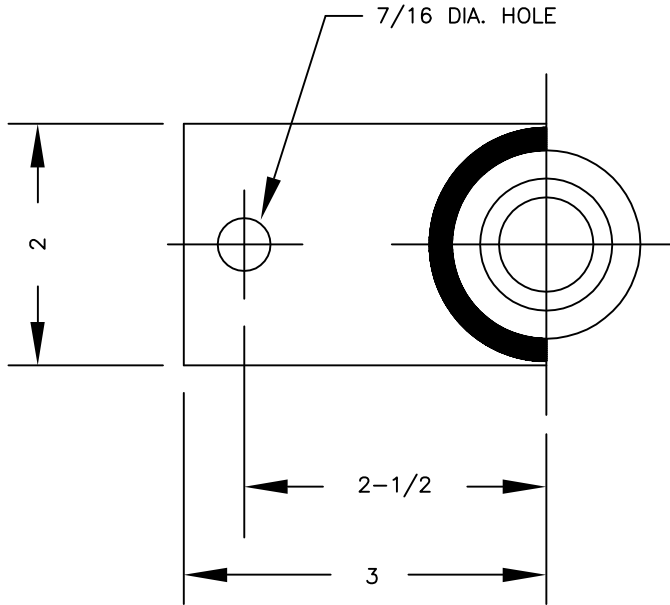
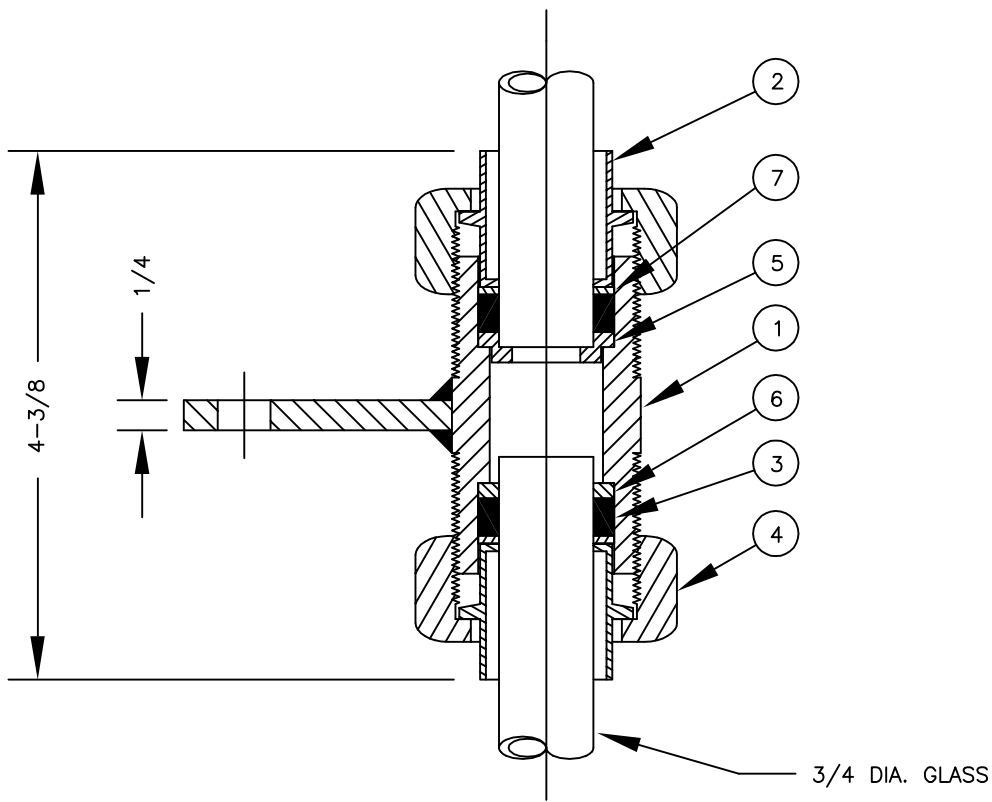


BILL OF MATERIAL

PIECE NO.	NAME OF PART	50-6-01-A			50-6-01-T		
		QUAN.	MATERIAL	PART NO.	QUAN.	MATERIAL	PART NO.
1	BODY/BRACKET	1	STEEL	S-50-01-A	1	316 SS	S-50-01-T
2	GLAND	2	STEEL	V-11208-A6	2	316 SS	V-11208-T2
3	PACKING RING	2	HYCAR	G-24	2	HYCAR	G-24
4	NUT	2	STEEL	P-70-48-A6	2	STEEL	P-70-48-A6
5	RING-GLASS-TOP	1	STEEL	P-1153-3-A6	1	316 SS	P-1155-3-T2
6	RING-GLASS-BOTTOM	1	STEEL	P-1173-3-A6	1	316 SS	P-1173-3-T2
7	GASKET	2	TEFLON	V-11211	2	TEFLON	V-11211



OPTIONAL FEATURES:
 (1) GUARD ROD HOLDERS
 (2) PLASTIC TUBULAR PROTECTORS



3	REDRAWN & UPDATED	05/05/99	
2	REDRAWN & UPDATED	8/4/92	
SYM	REVISION	DATE	APP

#50 CENTER FITTING
 FOR USE WITH TUBULAR
 GAGE GLASS VALVES

JERGUSON
 GAGE & VALVE CO.
 STRONGSVILLE, OHIO, U.S.A.
 SCALE NONE DATE 05/05/99

DRAWN LMC	FILE NO.
CHECKED	DRAWING NO.
APPROVED	50-6-01
	REV. 3