

Product Features

- Transistor NPN or PNP integral electronic switching
- LED indication of switching
- Hermetically sealed, vibration resistant construction
- Stainless 316 fitting and probe, Teflon insulator
- Built-in slosh dampening
- No moving parts
- Minimum or maximum limit detection

Description

The LLS12 is a high quality conductance level switch which can be used for liquid level limit detection in metallic or non-metallic tanks containing electrically conductive liquids. The probe is stainless 316, the insulator is Teflon. Standard fitting is 1/4"NPT offered in Stainless 316 or Brass. The LLS12 features built-in protection against reverse polarity, LED indication of state, overvoltage and electrical shielding to deliver long-term reliability. The output is transistor NPN or PNP.

Application / Process Notes

- Limit detection of conductive liquids
- Water level monitoring in oil separators
- Protection against cavitation for pumps
- Waste water level monitoring
- Leak detection
- Coolant level monitoring



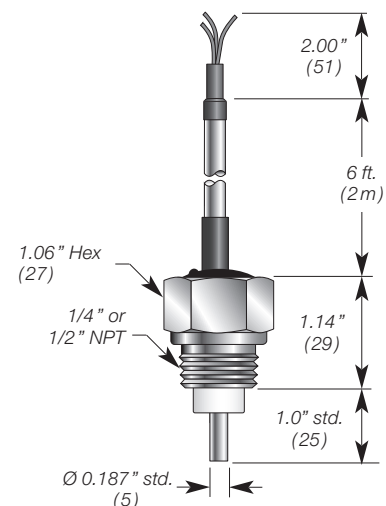
Stocked Items :

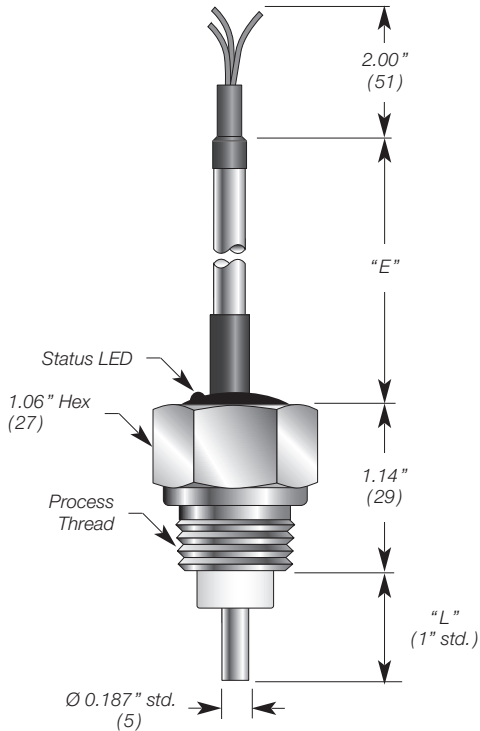
Model No.: LLS12-A-1-N-F14-S-C-S-010-PV-006 **P/N No.:** 100000

- NPN transistor output, wet sink, 1 sec. damping
- LLS12 switch with 1" long probe
- 1/4" NPT fitting, stainless 316
- 6 feet of PVC jacketed cable

Model No.: LLS12-A-1-N-F12-S-C-S-010-PV-006 **P/N No.:** 100001

- NPN transistor output, wet sink, 1 sec. damping
- LLS12 switch with 1" long probe
- 1/2" NPT fitting, stainless 316
- 6 feet of PVC jacketed cable





Electrical Specifications

- Supply Voltage :** 12 ... 24 VDC, 10mA max. @ 24VDC
- Output :** NPN or PNP transistor - open collector pull to ground, 350mW max. (30VDC max., 100mA max.)
- Damping :** 1 second on/off std.
- Sensitivity :** 20K ohms (resistive fluids)
- Circuit Protection :** Reverse Voltage
- Ambient Temperature :** -40 to 85°C (-40 to 185°F)

Mechanical Specifications

- Wetted Materials :** 316SS (or Brass) and Teflon
- Mounting Thread :** 1/4" & 1/2"NPT standard, others available
- Process Temperature:** 100°C max (212°F)
- Pressure Limits:** 100 psi (6.9 bar)
- Electrical Termination :** Lead wires
- Moisture Protection :** IP67 (NEMA 6 equivalent)

Custom Builder

MODEL 1 2 3 4 5 6 7 8 9 10

LLS12 - [] - [] - [] - [] - [] - [] - [] - [] - [] - []

BOX1 CODE	Output Signal
A	NPN, open collector, Wet Sink, ON in liquid (low level switching)
B	NPN, open collector, Dry Sink, ON in air (high level switching)
C	PNP, open collector, Wet Sink, ON in liquid (low level switching)
D	PNP, open collector, Dry Sink, ON in air (high level switching)

BOX2 CODE	Response Delay
0	0 sec.
1	1 sec. (std.)
5	5 sec.

BOX3 CODE	Mounting Options
N	None

BOX4 CODE	Fitting Type
F14	1/4" NPT, ANSI B1.20.2
F38	3/8" NPT
F12	1/2" NPT
M14	M14 x 1.5 DIN 13, part 16
M18	M18 x 1.5

BOX5 CODE	Fitting Material
S	Stainless steel 316
B	Brass C360

BOX6 CODE	Probe Type
C	3/16" dia. (std.)
D	1/4" dia.

BOX7 CODE	Probe Material
S	Stainless steel 316
H	Hastelloy

BOX8 CODE	Probe Length "L"
---	In 0.1 inch increments (18" max.) Ex.: 010 = 1.0" long (std.)

BOX9 CODE	Extension Cable Type
PV	PVC insulation, 90°C (195°F) max.
TF	Teflon insulation, 200°C (392°F) max.
TA	Teflon w/SS armor, 200°C (392°F) max.

BOX10 CODE	Extension Cable Length "E"
---	In feet. Ex.: 006 = 6 ft. long