

Product Features

- Continuous loop powered 4-20 mA operation
- Microprocessor Based
- Accuracy 1% of span for constant dielectric of material
- Non-interactive zero and span calibration
- Calibration accomplished with 4 push buttons
- Heavy duty industrial design
- NEMA rated aluminum, stainless, PVC and explosion proof housings available
- Standard fitting 1-1/2" NPT, flange and special fittings available
- SS 316 outside tube
- Choice of bare SS316 or Teflon coated probe

Description

INTEMPCO LTX02 series 2-wire level transmitters are essentially LTX01 transmitters assembled with a concentric tube. As such LTX02 sensors can measure tank levels of liquids in metallic as well as non-metallic tanks. All other performance specifications are identical to LTX01 sensors.

Level measurement of water based liquids in non-metallic tanks, using a teflon coated probe is an ideal application for the LTX02. To obtain a linear output in an irregularly shaped tank, such as a cone, use a concentric tube LTX02. For oils and mineral based liquids in non-metallic and metallic tanks use LTX02 with a bare SS316 probe. Make sure that the liquids are compatible with SS316 and PFA Teflon materials.

The LTX02 includes a standard 4-20mA loop powered LTX transmitter, a rugged customer selected enclosure, a rigid bare SS316 or Teflon coated probe, concentric tube for ranges of up to 20 feet and a fitting. The LTX02 is designed for tanks which have fitting connections of 3/4" NPT or larger. Call factory for smaller tank openings or special applications.

Application / Process Notes

- Water and water-based liquids in non-metallic tanks.
- Jacketed probes required for conductive media
- Organic Acids compatible with SS316
- Oils and fuels in metallic and non-metallic tanks
- Use bare probes with non-conductive media
- On-site calibration required
- Not recommended where material dielectric changes

Heavy Duty Concentric Tube Type

Shown with
AX3 head



Shown with
PV9 head



DIN Rail
Remote Transmitter
4/20mA output

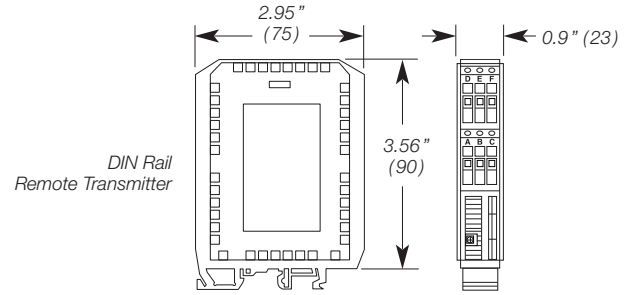
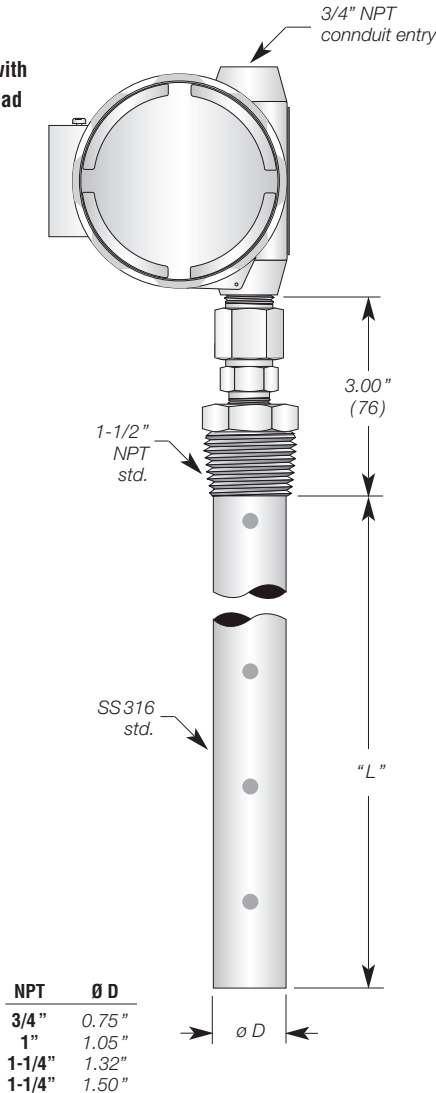


LTX02 LEVEL SENSORS

Continuous Capacitance Level Transmitter
4-20 mA, Loop Powered



Shown with
AX3 Head



Electrical Specifications

- Supply Voltage :** 12 VDC-36 VDC
- Output :** 4-20 mA, loop powered
- Maximum Loop Res.:** $[V_s - 10] / 0.02$ (i.e. 700Ω @ 24 VDC)
- Calibration :** Via 4 push-button switches non-interactive Zero and Span
- Capacitance Range :** 10 pF to 10000 pF
- Accuracy :** $\pm 1\%$ of full span (constant dielectric)
- Repeatability :** $\pm 0.1\%$ of span
- Damping aAdjust :** 0-30 sec.
- Ambient Temperature :** -40 to 70°C (-40 to 158°F)

Mechanical Specifications

- Enclosures**
 - AH2 :** Aluminum, lift cover type, NEMA 4
 - SS2 :** Stainless 316, NEMA 4X
 - AX3 :** Class I, Gps. B,C & D, Class II, Gps. E,F & G, Class III, CENELEC: EExd IIC, IP66 NEMA 4, 7BCD, 9EFG
 - CX3 :** Class I, Class II, Div 2, Gps. C&G
 - PV2 :** PVC, 1/2" conduit, NEMA 4X
 - PV9 :** PVC, Pg9 Gland, NEMA 4X
- Mounting Thread :** 1-1/2" NPT standard, others available
- Process Temperature:** 200°C max (392°F) consult factory for higher temperatures.
- Pressure Limits:**
 - 500 psi (34 bar) @ 25°C (77°F)
 - 250 psi (17 bar) @ 150°C (302°F)
 - 14.5 psi (1 bar) @ 200°C (392°F)
- Probe Mat'l :** PFA Teflon jacketed, or bare SS316
- Tube Mat'l :** SS316 std., others available - consult factory

Ordering Information :

MODEL BOX1 BOX2 BOX3 BOX4 BOX5 BOX6
LTX02 - - - - - - -

BOX1 CODE	Output
LP	4-20 mA, Loop Powered

BOX2 CODE	Enclosure
AX*	Explosion Proof
CX3	Explosion Proof
AH*	Aluminum Flip-Cover
SS*	Stainless Steel
PV9	PVC (Pg9 Gland)
PV2	PVC with 1/2" conduit

BOX3 CODE	Fitting
P**	Male pip size 1-1/2" NPT std.
PH**	Male pip size high pressure 1-1/2" NPT std.
S**	Flange SS316, RF 150lb.
FS**	Flange special, specify

** Fitting	** Flange
12	20
34	25
44	30
54	40
64	50
	60

BOX4 CODE	Probe Material
A	Teflon jacketed solid probe
B	SS316 Bare solid probe

BOX5 CODE	Probe Length " L "
---	In inches (20ft max.) Ex.: 065 = 65" long

BOX6 CODE	Options
DN	Remote DIN Rail Module

*2 = 1/2" NPT Conduit

*3 = 3/4" NPT Conduit

Note : See **Level Accessories Section** for Enclosure specifications and dimensions