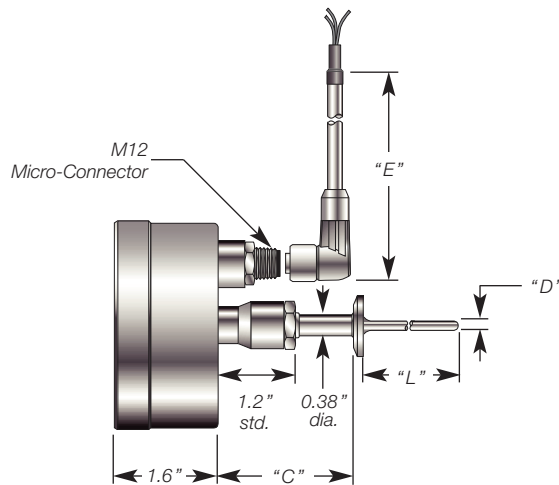
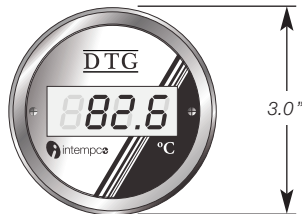


DTG32

Mini Sanitary Digital Temperature Gauge
w/programmable 4-20 mA Output



DTG32 Back Mount w/Mini Sanitary Fitting



Custom Builder

MODEL 1 2 3 4 5 6 7 8 9 10 11

DTG32 - - - - - - - - **0** - - - -

BOX 1 CODE	Calibrated Temperature Range
05	0°C to 50°C (32/122°F)
10	0°C to 100°C (32/212°F)
15	0°C to 150°C (32/302°F)
20	0°C to 200°C (32/392°F)
55	-50°C to 50°C (-58/122°F)
51	-50°C to 150°C (-58/302°F)
52	-50°C to 200°C (-58/392°F)
L*	-50°C to 200°C (-58/392°F)
H*	-200°C to 600°C (-328/1112°F)

Std. display is in °C. Add suffix F to display in °F.
Ex.: **10F** = 32 to 212°F

* Code **L** DTG is not factory programmed. Requires customer set-up using the **DTG PKIT**.

- Notes:**
- DTG sensors are factory calibrated to accuracy of ±0.25% of span or better.
 - For non-standard temperature ranges indicate desired value in °C or °F in Box1 or see website www.intempco.com.
Ex.: DTG32-(40/120°C)-CU...
 - Order **DTG PKIT** to set-up, re-program and re-calibrate in the field.

BOX 2 CODE	Output
CU	4-20mA source 3-wire, upscale burnout
CD	4-20mA source 3-wire, downscale burnout

BOX 3 CODE	Probe Diameter "D"
B	1/8"
40	0.156" (4.0mm)
C	3/16"
D	1/4"

Other diameters available. Consult factory.

BOX 4 CODE	Probe Material
S	Stainless steel 316/316L

Other materials available. Consult factory.

BOX 5 CODE	Probe Length "L"
---	In 0.1" increments Ex.: 065 = 6.5" long

BOX 6 CODE	Extension Length "C"
N --	In 0.1" increments (2.0" Std.) Ex.: N20 = 2.0" long

BOX 8 CODE	Process Fitting Type / Size
T12	Hygienic clamp union, 1/2"
T34	Hygienic clamp union, 3/4"

BOX 9 CODE	Connector Type
MC	M12 Micro-Male Connector

BOX 10 CODE	Extension Cable Length "E"
N	No Cable
SB2	Sanitary Molded Right Angle, 2 meters
SB5	Sanitary Molded Right Angle, 5 meters

Note : Cable insulation is PVC, 90°C (195°F) max.

BOX 11 CODE	Surface Finish
SF	32µ-in (0.8µm) Ra max. or better
F1	20µ-in (0.5µm) Ra max. w/o EP
F4	15µ-in (0.4µm) Ra max. with EP