

 **WARNING**

To avoid unpredictable system behavior that can cause personal injury and property damage:

- Disconnect electrical supply (when necessary) before installation, servicing, or conversion.
- Disconnect air supply and depressurize all air lines connected to this product before installation, servicing, or conversion.
- Operate within the manufacturer's specified pressure, temperature, and other conditions listed in these instructions.
- Medium must be moisture-free if ambient temperature is below freezing.
- Service according to procedures listed in these instructions.
- Installation, service, and conversion of these products must be performed by knowledgeable personnel who understand how pneumatic products are to be applied.
- After installation, servicing, or conversion, air and electrical supplies (when necessary) should be connected and the product tested for proper function and leakage. If audible leakage is present, or the product does not operate properly, do not put into use.
- Warnings and specifications on the product should not be covered by paint, etc. If masking is not possible, contact your local representative for replacement labels.

 **WARNING**

Air exhausting from one valve into the exhaust gallery of the manifold assembly may momentarily pressurize other valve circuits open to the same gallery. Design the circuit such that there is no hazard or consequence of damage from this action.

Safety Guide

For more complete information on recommended application guidelines, see the Safety Guide section of Pneumatic Division catalogs or you can download the **Pneumatic Division Safety Guide** at: www.parker.com/safety

 **WARNING**

FAILURE OR IMPROPER SELECTION OR IMPROPER USE OF THE PRODUCTS AND/OR SYSTEMS DESCRIBED HEREIN OR RELATED ITEMS CAN CAUSE DEATH, PERSONAL INJURY AND PROPERTY DAMAGE.

This document and other information from Parker Hannifin Corporation, its subsidiaries and authorized distributors provide product and/or system options for further investigation by users having technical expertise. It is important that you analyze all aspects of your application, including consequences of any failure and review the information concerning the product or systems in the current product catalog. Due to the variety of operating conditions and applications for these products or systems, the user, through its own analysis and testing, is solely responsible for making the final selection of the products and systems and assuring that all performance, safety and warning requirements of the application are met.

The products described herein, including without limitation, product features, specifications, designs, availability and pricing, are subject to change by Parker Hannifin Corporation and its subsidiaries at any time without notice.

EXTRA COPIES OF THESE INSTRUCTIONS ARE AVAILABLE FOR INCLUSION IN EQUIPMENT / MAINTENANCE MANUALS THAT UTILIZE THESE PRODUCTS. CONTACT YOUR LOCAL REPRESENTATIVE.

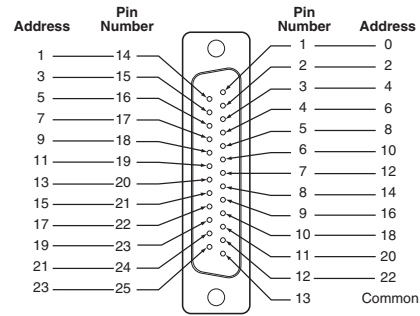
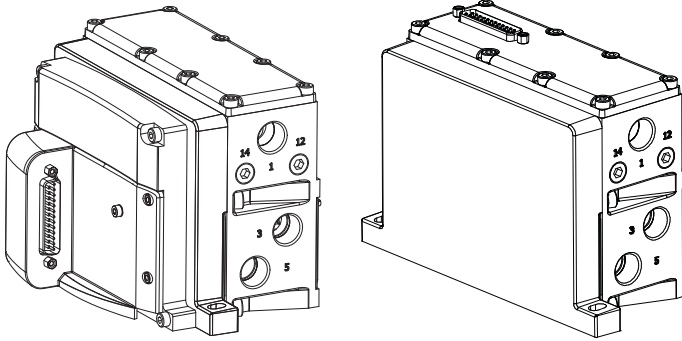
Introduction

Follow these instructions when installing, operating, or servicing the product.

Application Limits

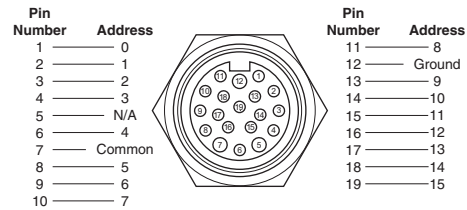
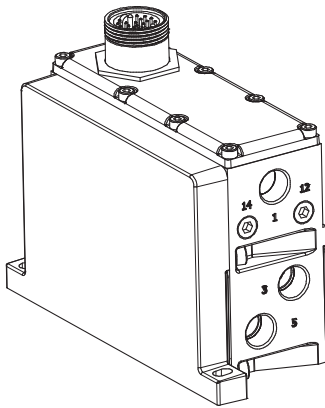
These products are intended for use in general purpose compressed air systems only. Compliance with the rated pressure, temperature, and voltage is necessary.

25-Pin, D-Sub Connector (Male)



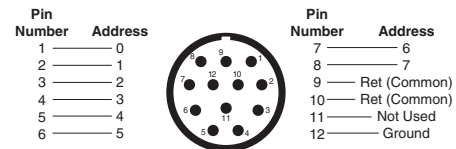
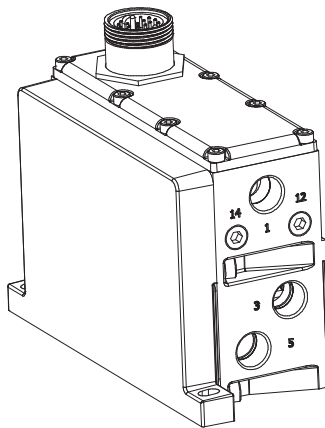
View into End Plate Connector - Male D-Sub, 25-Pin

19-Pin Round Brad Harrison

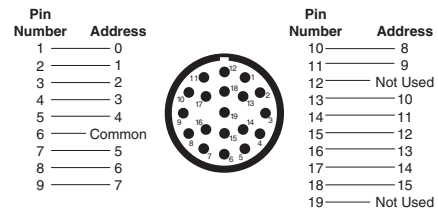


Face View - Male 19-Pin Connector

M23, 12-Pin & 19-Pin Round Connector (Male)



View into End Plate Connector - Male M23, 12-Pin



View into End Plate Connector - Male M23, 19-Pin

For all Instruction Sheets, go to www.parker.com/pneumatic

- V450P - H Series HA 26mm & HB 18mm ISO 15407-2 Valve Service
- V452P - H Series HA & HB ISO 15407-2 Sandwich Flow Controls
- V454P - H Series HA & HB Sandwich Regulators
- V467P - H Series H1 Sandwich Regulators
- V468P - H Series H1, H2 & H3, ISO 5599-1, 5599-2 Sandwich Flow Controls
- V470P - H Series H1, H2 & H3, ISO 5599-1, 5599-2 Valve Service
- V471P - H Series H2 & H3 Sandwich Regulators

- V751P - H Series, Terminal Block
- V752P - H Series, P2M Node
- V753P - H Series, Turck Network
- V754P - H Series, H Series Network
- V755P - H Series, Multi Pin
- V756P - H Series, Manifold Installation
- V757P - H Series, P2H IO-Link Module