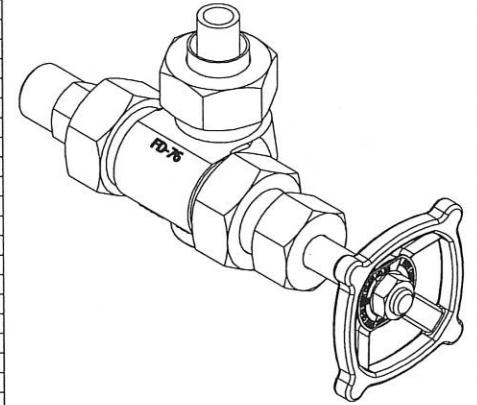


BILL OF MATERIAL (CS BODY/416SS TRIM)					BILL OF MATERIAL (316SS BODY/316SS TRIM)					BILL OF MATERIAL (ALL 316SS)				
NO.	NAME OF PART	QTY.	MATERIAL	PART NO. SPECIFICATION	NO.	NAME OF PART	QTY.	MATERIAL	PART NO. SPECIFICATION	NO.	NAME OF PART	QTY.	MATERIAL	PART NO. SPECIFICATION
1	BODY, BOTTOM VALVE	1	CARBON STEEL	PER ORDER A105	1	BODY, BOTTOM VALVE	1	316/316LSS	PER ORDER A182 GR.F316/316L	1	BODY, BOTTOM VALVE	1	316/316LSS	PER ORDER A182 GR.F316/316L
2	SEAT	1	416SS	P125 U3 QQ-S-763	2	SEAT	1	316/316LSS	P125 T2 A479	2	SEAT	1	316/316LSS	P125 T2 A479
3	STEM	1	416SS	S121 U3 QQ-S-763	3	STEM	1	316/316LSS	S121 T2 A479	3	STEM	1	316/316LSS	S121 T2 A479
4	TAILPIECE, TANK CONN.	1	LOW TEMP CS	PER ORDER A350 GR.LF2	4	TAILPIECE, TANK CONN.	1	316/316LSS*	PER ORDER A350 GR.LF2	4	TAILPIECE, TANK CONN.	1	316/316LSS*	PER ORDER A276 GR.F316/316L
5	NUT, TAILPIECE	1	LOW TEMP CS	PER ORDER P182 A32 A350 GR.LF2	5	NUT, TAILPIECE	1	LOW TEMP CS	PER ORDER P182 T2 A350 GR.LF2	5	NUT, TAILPIECE	1	316/316LSS	PER ORDER P182 T2 A350 GR.LF2
6	SLEEVE	1	LOW TEMP CS	P70 6 A32 A350 GR.LF2	6	SLEEVE	1	LOW TEMP CS	P70 6 A32 A350 GR.LF2	6	SLEEVE	1	316/316LSS	P70 6 T2 A276 GR.F316/316L
7	NUT, SLEEVE	1	LOW TEMP CS	P254 1 A32 A350 GR.LF2	7	NUT, SLEEVE	1	LOW TEMP CS	P254 1 T2 A479	7	NUT, SLEEVE	1	316/316LSS	P254 1 T2 A479
8	PACKING RING	4	GRAPHITE/NICR	G259	8	PACKING RING	4	GRAPHITE/NICR	G259	8	PACKING RING	4	GRAPHITE/NICR	G259
9	GLAND	1	LOW TEMP CS	P39 A32 A350 GR.LF2	9	GLAND	1	LOW TEMP CS	P39 A32 A350 GR.LF2	9	GLAND	1	316/316LSS	P39 T2 A479
10	NUT, GLAND	1	LOW TEMP CS	P70 3 A32 A350 GR.LF2	10	NUT, GLAND	1	LOW TEMP CS	P70 3 A32 A350 GR.LF2	10	NUT, GLAND	1	316/316LSS	P70 3 T2 A276 GR.F316/316L
11	BALL CHECK	1	440SS	P1 I	11	BALL CHECK	1	316SS	P1 T2 QQ-S-763	11	BALL CHECK	1	316SS	P1 T2 QQ-S-763
12	STOP, BALL CHECK	1	316SS	V13113 T	12	STOP, BALL CHECK	1	316SS	V13113 T	12	STOP, BALL CHECK	1	316SS	V13113 T
13	HANDWHEEL	1	CARBON STEEL	PD325 D1	13	HANDWHEEL	1	CARBON STEEL	PD325 D1	13	HANDWHEEL	1	CARBON STEEL	PD325 D1
14	NUT, STEM	1	CARBON STEEL	P78 6 A12 A563	14	NUT, STEM	1	CARBON STEEL	P78 6 A12 A563	14	NUT, STEM	1	316SS	P78 6 T
15	RING, 3/4" GLASS (TOP)	1	LOW TEMP CS	P1155 3 A32 A350 GR.LF2	15	RING, 3/4" GLASS (TOP)	1	316/316LSS	P1155 3 T2	15	RING, 3/4" GLASS (TOP)	1	316/316LSS	P1155 3 T2
16	RING, 3/4" GLASS (BOT)	1	LOW TEMP CS	P1173 3 A32 A350 GR.LF2	16	RING, 3/4" GLASS (BOT)	1	316/316LSS	P1173 3 T2	16	RING, 3/4" GLASS (BOT)	1	316/316LSS	P1173 3 T2
17	PACKING, 3/4" GLASS	1	BUNA-N	G24	17	PACKING, 3/4" GLASS	1	BUNA-N	G24	17	PACKING, 3/4" GLASS	1	BUNA-N	G24
18	GASKET, 3/4" GLASS	1	TEFLON	V11211	18	GASKET, 3/4" GLASS	1	TEFLON	V11211	18	GASKET, 3/4" GLASS	1	TEFLON	V11211
19	GLAND, 3/4" GLASS	1	LOW TEMP CS	V11208 A32 A350 GR.LF2	19	GLAND, 3/4" GLASS	1	LOW TEMP CS	V11208 A32 A350 GR.LF2	19	GLAND, 3/4" GLASS	1	316/316LSS	V11208 T2
20	NUT, GLASS GLAND	1	LOW TEMP CS	P70 48 A32 A350 GR.LF2	20	NUT, GLASS GLAND	1	LOW TEMP CS	P70 48 A32 A350 GR.LF2	20	NUT, GLASS GLAND	1	316/316LSS	P70 48 T2 A276 GR.F316/316L
21	RATING TAG	1	304SS	V22038 2	21	RATING TAG	1	304SS	V22038 2	21	RATING TAG	1	304SS	V22038 2

*17-4PHSS FOR SPHERICAL TAILPIECES

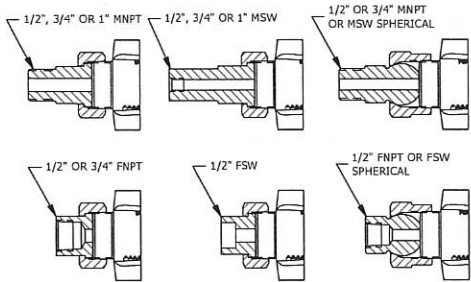
*17-4PHSS FOR SPHERICAL TAILPIECES



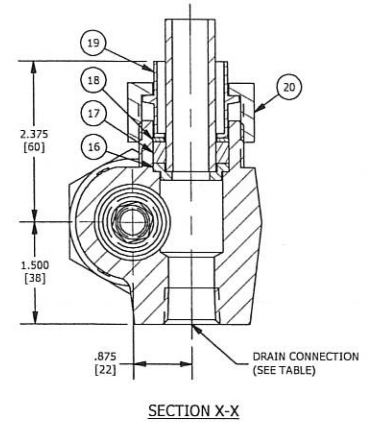
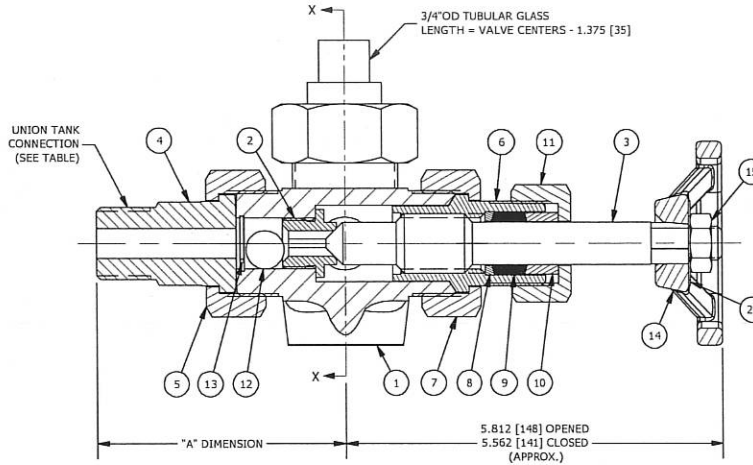
- NOTES:
- DIMENSIONS IN INCHES W/ mm EQUIVALENTS IN BRACKETS
 - TOP AND BOTTOM VALVES SAME EXCEPT OPPOSITE HANDING (I.E., MIRROR IMAGES) (BOTTOM LEFT HAND VALVE SHOWN)
 - GUARD RODS AND/OR ACRYLIC TUBULAR PROTECTOR FURNISHED ON REQUEST
 - ALSO AVAILABLE W/ 5/8" OD GAGE GLASS
 - SEE TABLES FOR AVAILABLE STANDARD CONNECTIONS
 - REFER TO THE FOLLOWING (FOR):
 - CATALOG BULLETIN J100.40 (ADDITIONAL INFORMATION)
 - IOI BULLETIN 3500.12 (INSTRUCTIONS)
 - VALVE "TRIM" = SEAT, STEM & BALL CHECK
 - CONSULT FACTORY FOR ALTERNATE MATERIAL OPTIONS

UNION TANK CONNECTION ("A" DIMENSION)									
1/2" MNPT (OR MSW)	1/2" FNPT (OR FSW)	1/2" MNPT SPH. (OR MSW)	1/2" FNPT SPH. (OR FSW)	3/4" MNPT	3/4" MSW	3/4" FNPT	3/4" MNPT SPH. (OR MSW)	1" MNPT (OR MSW)	
3.688 [94]	2.813 [71]	4.313 [110]	3.438 [87]	3.688 [94]	4.500 [114]	2.813 [71]	4.313 [110]	4.125 [105]	

VENT / DRAIN CONNECTION
1/2" OR 3/4" FNPT (OR FSW) ONLY



TANK CONNECTION
(3/4" FSW UNION CONNECTION NOT AVAILABLE AS STANDARD)



1	2/26/2018	UPDATE BOM	JLI
REV	DATE	REVISION	BY

MANUFACTURED BY
Clark-Reliance®
 16633 FOLTZ PARKWAY
 STRONGSVILLE, OH 44149 USA
 (440) 572-1500 | www.clarkreliance.com
 © Clark-Reliance® Corporation. All Rights Reserved.

JERGUSON®
#56 OFFSET VALVE (PLAIN-CLOSING)
UNION TANK CONNECTION
W/ 3/4" OD GAGE GLASS

DRAWN: DDenk	REV: 1
CHECKED: MK	
DATE: 7/8/2013	
REVISION: 1	
DRAWING NO.: 56	