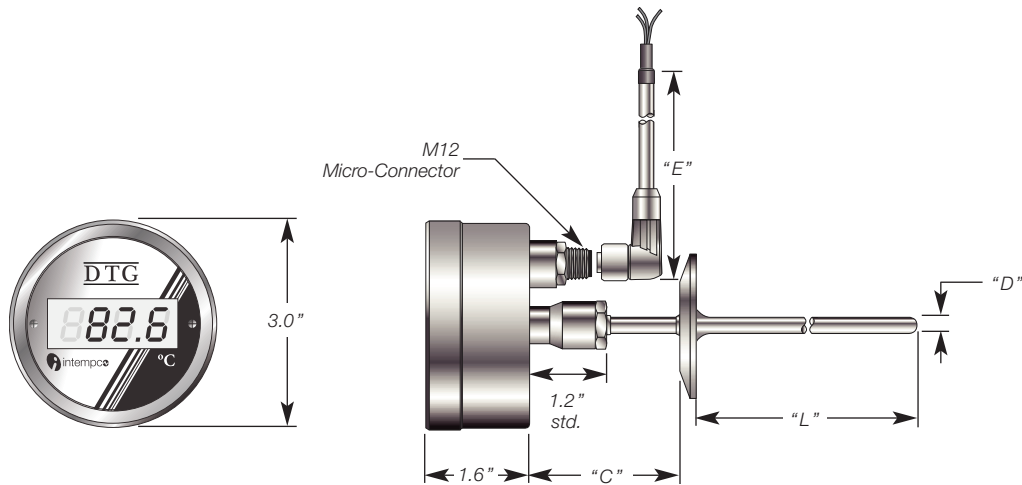


DTG38

Sanitary Digital Temperature Gauge
w/programmable 4-20 mA Output



DTG38 Back Mount w/Sanitary Fitting



Custom Builder

MODEL 1 2 3 4 5 6 7 8 9 10 11

DTG38 - - - - - - - - **0** - - - -

BOX1 CODE	Calibrated Temperature Range
05	0°C to 50°C (32/122°F)
10	0°C to 100°C (32/212°F)
15	0°C to 150°C (32/302°F)
20	0°C to 200°C (32/392°F)
55	-50°C to 50°C (-58/122°F)
51	-50°C to 150°C (-58/302°F)
52	-50°C to 200°C (-58/392°F)
L*	-50°C to 200°C (-58/392°F)
H*	-200°C to 600°C (-328/1112°F)

Std. display is in °C. Add suffix F to display in °F. Ex.: 10F = 32 to 212°F

* Code **L** DTG is not factory programmed. Requires customer set-up using the **DTG PKIT**.

- Notes:**
- DTG sensors are factory calibrated to accuracy of ±0.25% of span or better.
 - For non-standard temperature ranges indicate desired value in °C or °F in Box1 or see website www.intempco.com.
Ex.: DTG38-(40/120°C)-CU...
 - Order **DTG PKIT** to set-up, re-program and re-calibrate in the field.

BOX2 CODE	Output
CU	4-20mA source 3-wire, upscale burnout
CD	4-20mA source 3-wire, downscale burnout

BOX3 CODE	Probe Diameter "D"	
D	1/4"	
F	3/8"	
H	1/2"	
CODE	Sheath O.D.	Tip O.D.
DB	1/4"	1/8"
FC	3/8"	3/16"
HC	1/2"	3/16"
HD	1/2"	1/4"
JD	5/8"	1/4"

Other diameters available. Consult factory.

BOX4 CODE	Probe Material
S	Stainless steel 316/316L

Other materials available. Consult factory.

BOX5 CODE	Probe Length "L"
---	In 0.1" increments Ex.: 065 = 6.5" long

BOX6 CODE	Extension Length "C"
N--	In 0.1" increments (2.0" Std.) Ex.: N20 = 2.0" long

BOX8 CODE	Process Fitting Type / Size
T10	Hygienic clamp union, 1"
T15	Hygienic clamp union, 1.5"
T20	Hygienic clamp union, 2"
T25	Hygienic clamp union, 2.5"
T30	Hygienic clamp union, 3"

Other fittings available. Consult factory.

BOX9 CODE	Connector Type
MC	M12 Micro-Male Connector

BOX10 CODE	Extension Cable Length "E"
N	No Cable
SB2	Sanitary Molded Right Angle, 2 meters
SB5	Sanitary Molded Right Angle, 5 meters

Note: Cable insulation is PVC, 90°C (195°F) max.

BOX11 CODE	Surface Finish
SF	32µ-in (0.8µm) Ra max. or better
F1	20µ-in (0.5µm) Ra max. w/o EP
F4	15µ-in (0.4µm) Ra max. with EP