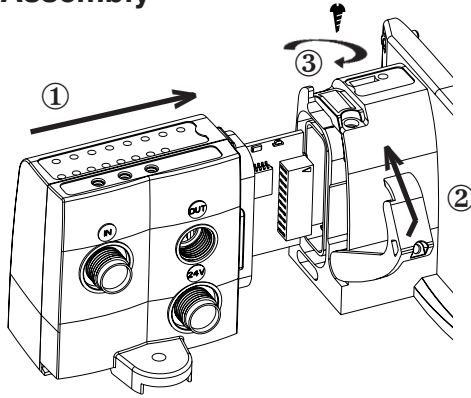
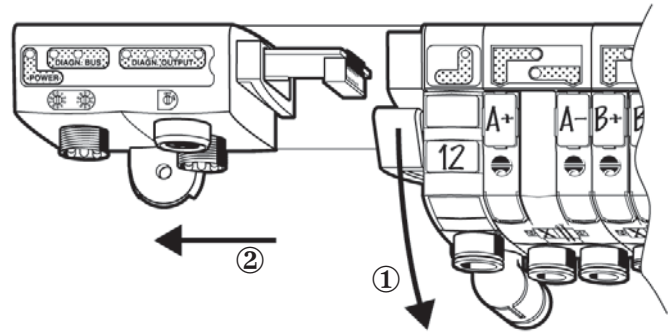


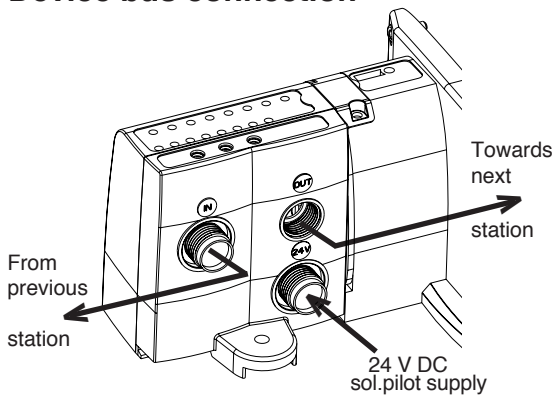
Assembly



Maintenance



Device bus connection

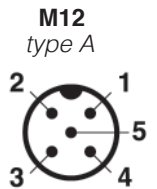


Power supply connector

(as seen on module)

pin OUT

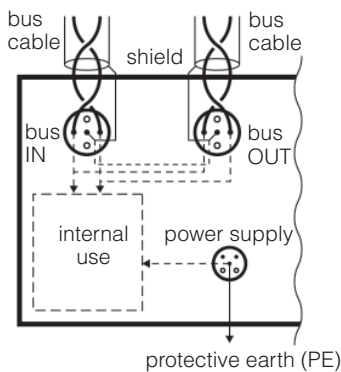
- 1 - not connected
- 2 - not connected
- 3 - 0 V DC solenoid
- 4 - 24 V DC solenoid
- 5 - protective earth (PE)



Bus and power supply permutation could create damage.

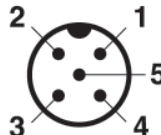
Bus cable connection

Bus cable protection shield connections



bus IN

(as seen on module)



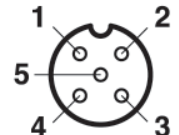
M12 male
A type

pin OUT

- 1 : CAN_SHLD
- 2 : CAN_V+ :
24V DC module supply
- 3 : CAN_GND
- 4 : CAN_H
- 5 : CAN_L

bus OUT

(as seen on module)



M12 femelle
A type

Line
termination :

Plug must be mounted on
"bus OUT" of the last station
ref : P8BPA00MA

Specifications

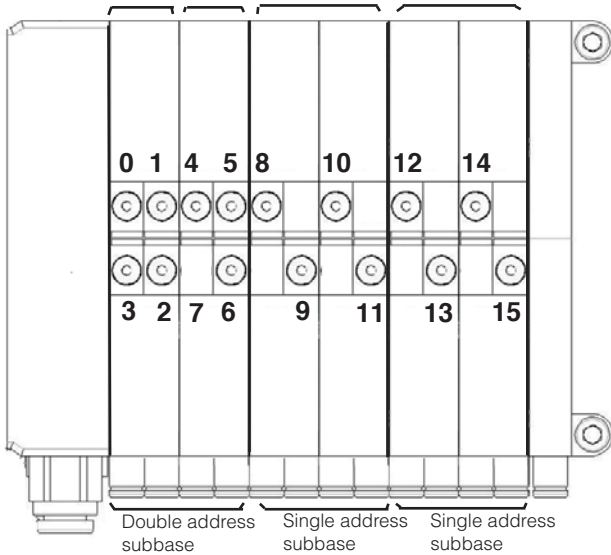
EMC / CE mark.	According to EN 61 000-6-2 and EN 61 000-6-4
Number of solenoids	16
Bus line	According to each bus specification
Module voltage	20 to 30 V DC
Solenoid pilot voltage	21,6 to 26,4 V DC
Module consumption	Max. 1,5 W
Outputs	Overload protection
Ext. output power	Max. 2,5 W



PSMMC . AP P2M2HBVC21600

Addressing

Group A Output 0 to 3 Group B Output 4 to 7 Group C Output 8 to 11 Group D Output 12 to 15

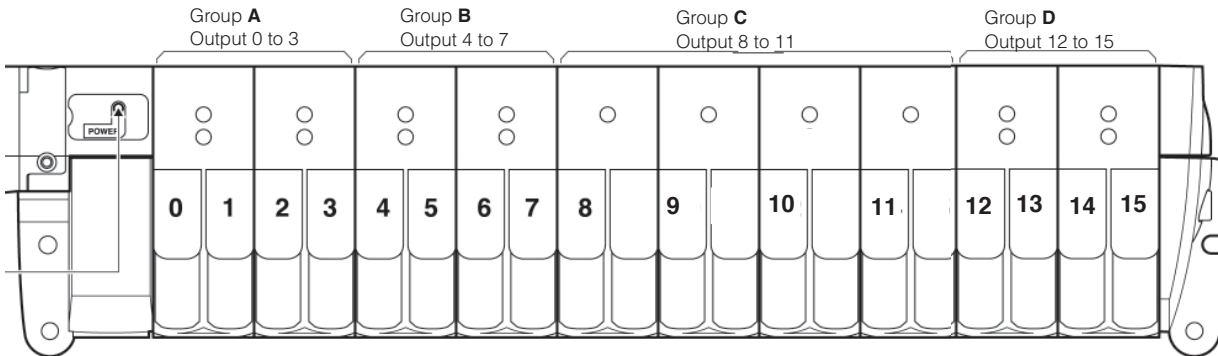
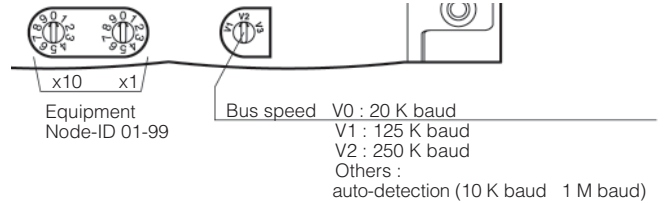


Addressing :

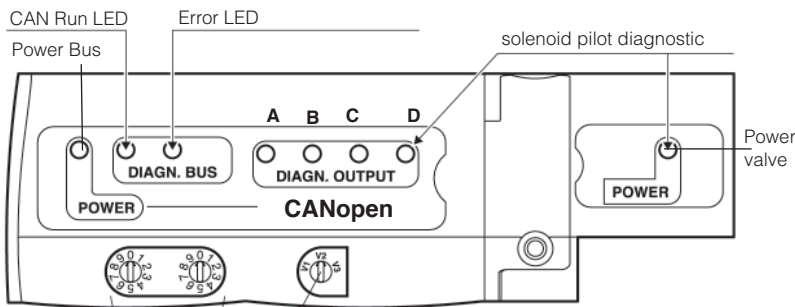
Use the EDs file on Web site :

www.parker.com/pneu/modulflex.

Rotary switches enable configuration of the address (Node-ID) and the transmission speed.



Diagnostic



Power valve	Description
Green	OK
Red	Short Circuit in one of the 16 outputs
OFF	Power supply missing

DIAG	A B C or D
OFF	OK
OFF	Short circuit in one of the 4 outputs in group

CAN Run LED	Description
Flickering	Auto Baudrate detection
Single flash	Device on stop
Blinking	Check addressing CANopen master stop
Green	OK
OFF	Check wiring

Power Bus	Description
Green	OK
OFF	- Power supply missing - Product failure

Error LED	Description
OFF	OK
Single flash	Too many error frames
Flickering	Auto Baudrate detection
Double flash	Watch dog error
Triple flash	Synchronisation error
Red	CANopen master stop