

MASS-STREAM™

Digital Mass Flow Meters and Controllers for Gases



MASS-STREAM™. Your specialists for inline measurement

WORTH KNOWING

The thermal Bronkhorst® mass flow meters and controllers for gases on the basis of direct through-flow measurement are produced in Germany since 1997.

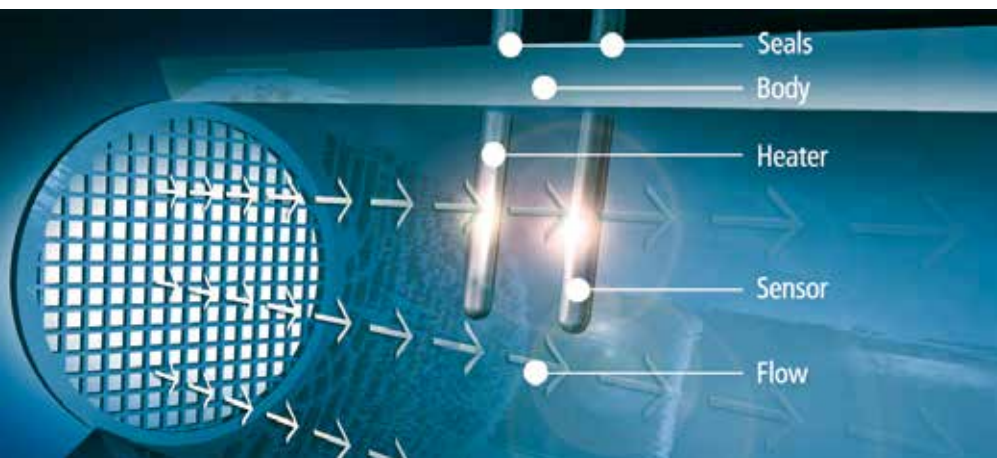
Based on our long-lasting experience with the well-established model series D-6200 our actual digital Mass-Stream™ series D-6300 works following the constant temperature anemometer principle. Having benefitted from continuous performance enhancements this through-flow technique

can now be also applied to lower flow ranges, which were previously mainly covered by instruments with by-pass measurement technique.

Our Mass-Stream™ instruments cover a wide range of measurement and control applications in almost every industry sector – like mechanical engineering and process industry, gas production, food and beverage industry as well as environmental engineering and the chemical industry.

We are committed to a long lasting cooperation with our customers and of course we are also your competent contact for special solutions. You benefit from our well-trained, highly motivated team and our culture of quality.

Our worldwide sales is mainly covered by our close cooperation with more than 30 sales partners. Please visit our website www.bronkhorst.com for the contact data of your local distributor.

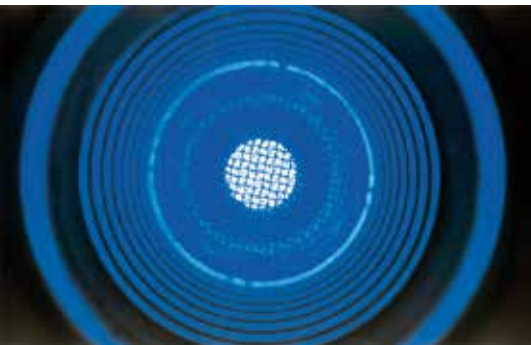


PRINCIPLE OF THROUGH-FLOW MEASUREMENT

The mass flow meters and controllers consist of a metal body with a straight through-flow path. Two sensors are encased with stainless steel and protrude inside this bore; one is designed as a heater and the other one is designed as a temperature probe. A constant difference in temperature (ΔT) is created

between the two sensors. The heater energy required to maintain this ΔT is dependent on the mass flow. The working principle is based on King's law of the ratio between the mass flow and the heater energy. That means the higher the flow, the more energy is required to maintain the chosen ΔT .

MASS-STREAM™. Features and applications



WORTH KNOWING

For the thermal mass flow measurement of gases the MASS-STREAM™ D-6300 series now offers the proven direct inline measurement for an increased measuring range:

Smallest standard range

0.01...0.2 l_n/min (Air)

Highest standard range

100...5,000 l_n/min (Air)

Within the above mentioned borders intermediate calibrations with a turn-down-ratio up to 1:100 are also possible.

In addition Bronkhorst® supplies a wide range of instruments with smaller and higher flow ranges as well as tailor-made special solutions.

FEATURES

- » Direct inline measurement principle
- » Usable for virtually every kind of gas or gas-mix
- » Mass flow measurement and control for a wide scope of applications
- » Digital pc-board with additional interfaces for DeviceNet™, PROFIBUS DP, Modbus-RTU and FLOW-BUS
- » Precise control mode and good response times
- » Compact and robust design
- » IP65 for full product range
- » Bodies available in aluminium and stainless steel (AISI 316) for corrosive gases
- » Sensor made of stainless steel
- » Less sensitive to dirt and humidity
- » No inlet pipe required
- » Measurement without moving parts
- » Modern multi-coloured TFT display
 - « IP65 compliant
 - « Operator buttons on the instrument
 - « Customized adjustable multi-functional display: actual flow, totalizer with memory and reset, alarm, setup and much more



APPLICATIONS

- » Measurement and control technology
- » Aeration
- » Analytical instruments
- » Biogas applications
- » Burner controls
- » Coating plants
- » Exhaust gas measurement
- » Gas consumption measurement
- » Gas monitoring systems
- » Gas purging
- » Mechanical engineering
- » N₂/O₂-generators
- » Paint-spray lines
- » and much more

Mass flow meter (MFM) . D-63x0

Mass flow controller (MFC) . D-63x1, D-63x3



PRINCIPLE OF OPERATION

The digital MASS-STREAM™ mass flow meters and controllers are operated with a main-board with all functions for the flow measurement and control. The instruments can be supplied with commonly used digital or analogue input/output signals and when ordering a digital instrument please forward the required presettings. Along with the standard RS 232 interface the additional interfaces DeviceNet™, PROFIBUS DP, Modbus-RTU and FLOW-BUS are also available.

The digital MASS-STREAM™ model series is characterized by a high degree of signal integrity and, as an option, up to 8 calibration curves of different gases and process conditions can be memorized in the instrument.

To provide adaptability and flexibility for a wide range of different process conditions our customers are offered the possibility to adjust, to optimize and to evaluate the parameters and control characteristics, even whilst on site.

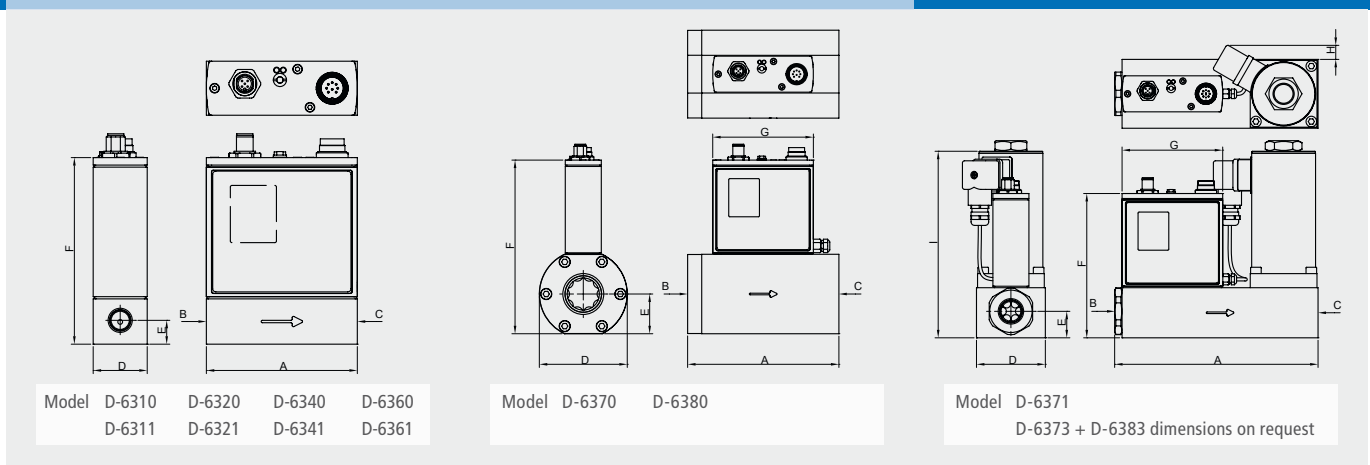
The accompanying software is a basic part of our scope of supply of digital mass flow meters and controllers, as well as the calibration certificate, the 8-pin DIN connector for the electrical connection and the software and documentation on CD.

The MASS-STREAM™ mass flow controllers are delivered as compact control units up to flows of 1,000 I_n/min Air-equivalent, with the modular constructed solenoid valve integrated onto the body. The following K_v-values are available as a standard: 0.066; 0.17; 0.35; 1.0.

Higher gas flows > 1000 I_n/min Air-equivalent are controlled with mechanically connected separate valves and K_v-values up to 6.0. (Further special valves and combinations on request.)

D-6300 DIMENSIONS (in mm)

Model	A	B	C	D	E	F	G	H	I
D-6310	95	G1/4"	G1/4"	34	15	117			
D-6320	95	G1/4"	G1/4"	34	15	117			
D-6340	95	G1/4"	G1/4"	34	15	114			
D-6360	95	G1/2"	G1/2"	34	16	122			
D-6370	117	G1/2"	G1/2"	58	25	136	95		
D-6380	143	G1"	G1"	83	37,5	164	95		
D-6311	95	G1/4"	G1/4"	34	15	117			
D-6321	95	G1/4"	G1/4"	34	15	117			
D-6341	95	G1/4"	G1/4"	34	15	114			
D-6361	110	G1/2"	G1/2"	34	16	122	95		
D-6371	192	G1/2"	G1/2"	65	25	136	95	10	175



STANDARD MEASUREMENT RANGES

Mass flow meter Model	Flow ranges (Air) intermediate ranges are available	Mass flow controller Model	Flow ranges (Air) intermediate ranges are available
D - 6310 - H♦♦ - BB - ♦♦ - 22 - ♦ - S - D♦ - 23 -	0.01...0.2 I _N /min 0.1...2.0 I _N /min	D - 6311 - F♦♦ - BB - ♦♦ - 22 - ♦ - S - D♦ - 23 -	0.01...0.2 I _N /min 0.1...2.0 I _N /min
D - 6320 - H♦♦ - BB - ♦♦ - 13 - ♦ - S - D♦ - 99 -	0.05...1.0 I _N /min 0.35...7.0 I _N /min	D - 6321 - F♦♦ - BB - ♦♦ - 13 - ♦ - S - D♦ - 99 -	0.05...1.0 I _N /min 0.35...7.0 I _N /min
D - 6340 - H♦♦ - BB - ♦♦ - 99 - ♦ - S - D♦ - 54 -	0.14...7.0 I _N /min 0.5...50.0 I _N /min	D - 6341 - F♦♦ - BB - ♦♦ - 99 - ♦ - S - D♦ - 54 -	0.14...7.0 I _N /min 1.0...50.0 I _N /min
D - 6360 - H♦♦ - CC - ♦♦ - 24 - ♦ - S - D♦ - 25 -	0.4...20.0 I _N /min 2.0...200 I _N /min	D - 6361* - F♦♦ - CC - ♦♦ - 24 - ♦ - S - D♦ - 25 -	0.4...20.0 I _N /min 4.0...200 I _N /min
D - 6370 - H♦♦ - CC - ♦♦ - 15 - ♦ - S - D♦ - 16 -	2.0...100 I _N /min 10.0...1.000 I _N /min	D - 6371* - F♦♦ - CC - ♦♦ - 15 - ♦ - S - D♦ - 16 -	2.0...100 I _N /min 20.0...1.000 I _N /min
D - 6380 - H♦♦ - DD - ♦♦ - 55 - ♦ - S - D♦ - 56 -	10.0...500 I _N /min 50.0...5.000 I _N /min	D - 6383 - Z♦♦ - DD - ♦♦ - 55 - ♦ - S - D♦ - 56 -	10.0...500 I _N /min 100...5.000 I _N /min

(* also valid for D-6363 respectively D-6373)

Technical changes and alterations in construction are reserved..

MASS-STREAM™. Worth knowing

CONVERSION FACTOR

MASS-STREAM™ mass flow meters and controllers are basically calibrated on air. If other gases or gas mixtures are used a conversion factor CF has to be applied. This factor is determined by applying a complex formula. For a number of commonly used gases you will find the value in the adjoining chart.

CONVERSION FACTORS (I_n ≙ 1013 mbar and 0 °C air temperature)

– please refer to www.fluidat.com

Gas	CF D-631x and D-632x	CF D-634x up to D-638x	Gas	CF D-631x and D-632x	CF D-634x up to D-638x
Air	1.00	1.00	CO ₂	0.86	1.13
Ar	1.50	2.02	HCl	1.12	1.53
CH ₄	0.77	0.61	N ₂	1.00	1.00
C ₂ H ₂	0.66	0.68	NH ₃	0.82	0.74
C ₂ H ₄	0.70	0.75	NO	1.00	1.01
C ₂ H ₆	0.58	0.62	N ₂ O	0.83	1.08
C ₃ H ₈	0.43	0.51	O ₂	0.99	0.97
C ₄ H ₁₀	0.32	0.41	Xe	1.96	6.09
CO	1.01	1.04			Other gases on request.

Above mentioned values are only regarded as an indication. The exact conversion factors are significantly dependent on the process parameters, like media temperature and operating pressure, and on the physical characteristics of the gas. The best accuracy

can be obtained by calibrating the instrument under operating conditions. The conversion factor causes an additional error in the absolute accuracy. With a conversion factor >1 this error is 2 x CF (in % FS) and with a conversion factor <1 this error is 2 / CF (in % FS).

FLOW PROFILE AND SENSITIVITY

In general mass flow measurement is very sensitive to variations of the shape of the flow profile. The MASS-STREAM™ instruments are designed for a consistent, fully developed flow profile in the metering section. Installing a

suitable well-sized inlet pipe is recommended for our robust and concurrent precise mass flow measurement. Without an inlet pipe or insufficient inlet piping conditions severe deviations in the accuracy could possibly occur.

PRESSURE LOSS

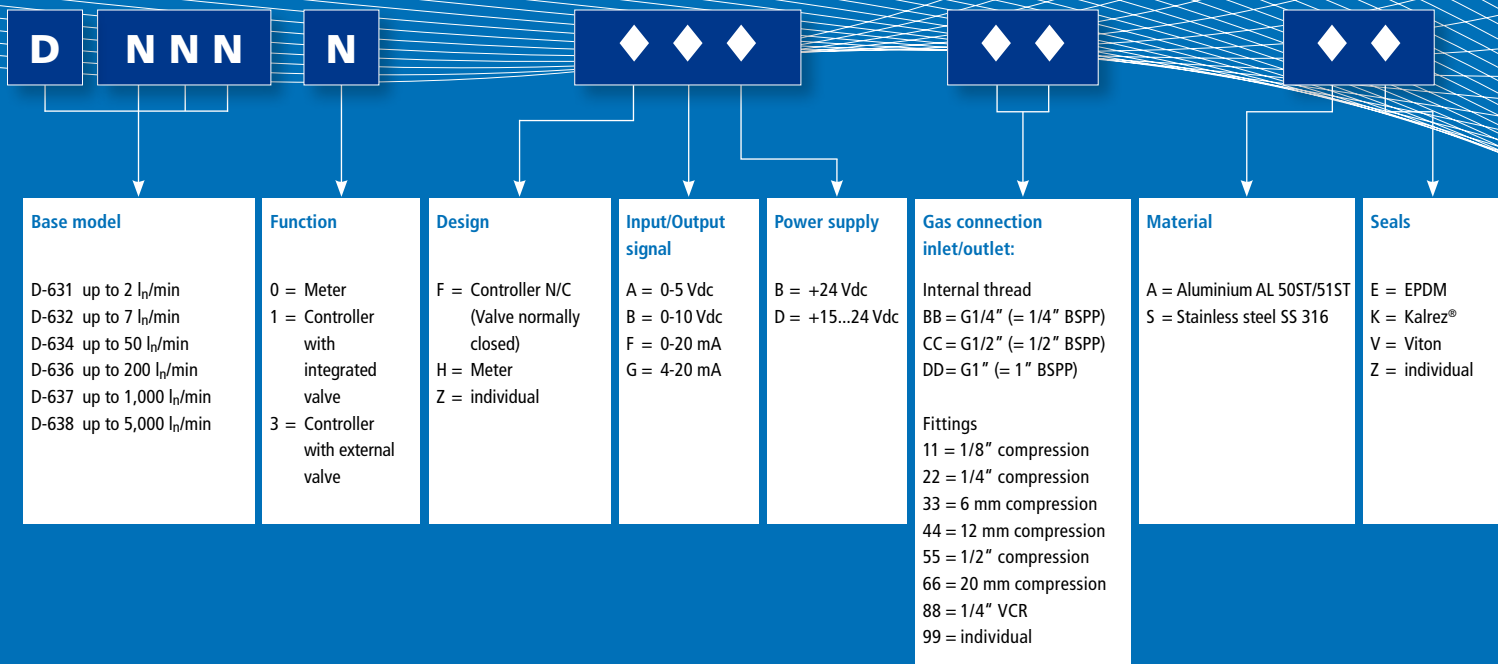
The pressure drop over the instrument's D-6300 measurement chamber is almost comparable to a straight run of pipe of the same diameter and is thus almost negligible. However, to make the instruments less sensitive to upstream piping configurations (e.g. turbulences, welded joints, elbows) special mesh screens are required to condition the flow profile. These

meshes create a certain pressure drop. Also the often used compression type connections cause a significant additional pressure loss.

We recommend to install fittings with maximized internal diameter and offer the use of an inlet pipe as an option.



MASS-STREAM™ . Model number identification



ENQUIRY AND ORDER INFORMATION

In order to supply the correct instrument for your application please forward the following data: type of gas, flow range, operating temperature and pressure (for controllers supply and back pressure), electrical connection, desired output signal, type of gas connections (fittings) and seals, analogue or digital presettings.

Based on this information the following calculations and checks will be carried out:

- » Conversion of the requested flow to the Air-equivalent flow (the requested flow is divided by the referred conversion factor).

TECHNICAL SPECIFICATIONS

Measurement system

Accuracy (based on calibration with Air at 5 bar (a) and T = 20 °C)	± 2 % FS including non-linearity* ± 1.5 % FS on request*
Repeatability	< ± 0.2 % FS
Pressure sensitivity	± 0.3 % RD / bar typical (Air)
Temperature sensitivity	± 0.2 % RD / °C (Air)
Attitude sensitivity	at 90° deviation from horizontal max. error 0.2 % at 1 bar typical N ₂
Control stability	< 0.2 % FS typical
External leak integrity	< 2 x 10 ⁻⁸ mbar l/s He
Response time sensor (63 %)	D-631x / D-632x: approx. 0.3 seconds other models: approx. 0.9 seconds
Settling time (controller)	plus approx. 2 seconds
RFI (radio frequency interference)	according to EU declaration

* The calibration of instruments in the lower measurement range and for some gases could result in a reduced accuracy.

Mechanical parts

Sensor	Stainless steel SS 316 (AISI 316L)
Instrument body	Aluminium AL 50ST/51ST (anodised) or stainless steel SS 316
Sieves and rings	Teflon or stainless steel SS 316
Protection	IP65 (with and without display)

Operating limits

Measuring range (turn-down-ratio)	up to 1...100 % (1:100) for meters up to 2...100 % (1:50) for controllers
Type of gases	almost all gases, compatible with chosen materials
Temperature	0...50 °C
Pressure rating	0...10 bar (g) for instrument body in aluminium, 0...20 bar (g) for instrument body in stainless steel SS 316
Warm-up time	30 minutes for optimum accuracy within 30 seconds for accuracy ± 4 % FS

NN**S****D****Flow rate for Air**

22	=	0.2 l _n /min
52	=	0.5 l _n /min
13	=	1 l _n /min
23	=	2 l _n /min
53	=	5 l _n /min
14	=	10 l _n /min
24	=	20 l _n /min
54	=	50 l _n /min
15	=	100 l _n /min
25	=	200 l _n /min
45	=	400 l _n /min
55	=	500 l _n /min
16	=	1,000 l _n /min
26	=	2,000 l _n /min
36	=	3,000 l _n /min
46	=	4,000 l _n /min
56	=	5,000 l _n /min
99	=	other gases/ other flow rates

Display

0 = without
display
D = with display

**Standard
sensor****Communication**

DR = RS 232
DF = FLOW-BUS
DM= Modbus-RTU
DN = DeviceNet™
DP = PROFIBUS DP

- » For mass flow controllers only:
- Check if the differential pressure over the valve (ΔP) is within the allowed limits.
 - Check if the calculated K_v -value is within the specification.

Electrical properties

Supply voltage	+15...24 Vdc \pm 10 %	
Current peak values	Meter	approx. 75 mA at 0 % flow approx. 125 mA at 100 % flow
	Controller	add 250 mA add 30 mA for display, if applicable add 50 mA for additional interface, if applicable
Output signal	0...10 Vdc / 0...5 Vdc active or 0...20 mA / 4...20 mA active	
Connector	8-pin round DIN (male) for analogue and RS 232 additional connectors for interfaces: » 5-pin M12 (male) for DeviceNet™ FLOW-BUS Modbus-RTU » 5-pin M12 (female) for PROFIBUS-DP	

Technical changes and alterations in construction are reserved.

DISTRIBUTOR:

2016/09 | Place of jurisdiction and performance: Munich, Germany

The complete list of all Bronkhorst® sales partners can be found on our website www.bronkhorst.com



Bronkhorst®

M+W Instruments GmbH . Dorfstrasse 1 . D-85391 Leonhardsbuch

Tel. +49 (81 66) 99 21 0 . Fax: +49 (81 66) 99 21 22

sales@mw-instruments.com . www.mw-instruments.com

