

### Description

Strainers are installed in pipelines ahead of meters, pumps, valves and other flow stream equipment for protection against intrusion of pipe scale, welding spatter and other foreign material. The use of a properly sized strainer, together with a basket of suitable mesh, reduces maintenance and the chance of system failure due to foreign material in the flowing stream.

Brodie Vertical In-Line Strainers are available in sizes 2" - 24" for maximum working pressures up to 1480 psi (10,197 kPa).

When it is known that large amounts of lint or iron oxide are present in a flowing stream, a large strainer should be used. Resins, gums or varnishes, present in the stream, will also cause the strainer basket to clog prematurely. Larger size foreign matter such as pebbles, welding beads, etc., should be removed at frequent intervals to prevent abrasive action from damaging the basket screen.

### Strainer Baskets

The strainer basket must be kept clean for effective safe operation. A buildup of sediment increases pressure drop and decreases flow. If the basket is allowed to become completely clogged, damage will result. It is recommended that pressure gauges be installed both upstream and downstream of the strainer. The differential pressure between these two gauges will give an indication of the condition of the basket.

Recommended screen mesh will vary according to the products being monitored and the condition of the pipeline. In most applications gasoline and similar products will use a 60 mesh screen. Diesel, number 2 oil, and similar products will use a 40 mesh screen. Liquids such as heating oils will require a 20 mesh screen.



### WARNING

**Do NOT operate this instrument in excess of the specifications listed. Failure to heed this warning could result in serious injury and/or damage to the equipment.**

### Design Features

- Easy access vertical, in-line application
- Easy maintenance
- Provides maximum protection against intrusion of foreign material

### Materials of Construction

Housing: Steel

Basket: Steel basket, 1/8" perforation standard with a variety of mesh screens, 304 stainless steel mesh

### Specifications

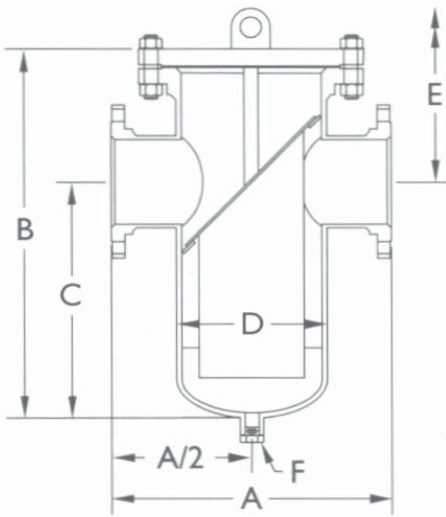
#### Flange Ratings at 100°F (38°C)

150 lb. ANSI 285 psi (1964 kPa); 16 Bars/PN16, 19.6 Bars/PN25

300 lb. ANSI 740 psi (5099 kPa); 25 Bars/PN25, 40 Bars/PN40, 51 Bars/PN64

600 lb. ANSI 1480 psi (10,197 kPa) 64 Bars/PN64, 100 Bars/PN100

## Dimensions 150# Strainer (For Certified Dimensional Prints - Consult Factory)



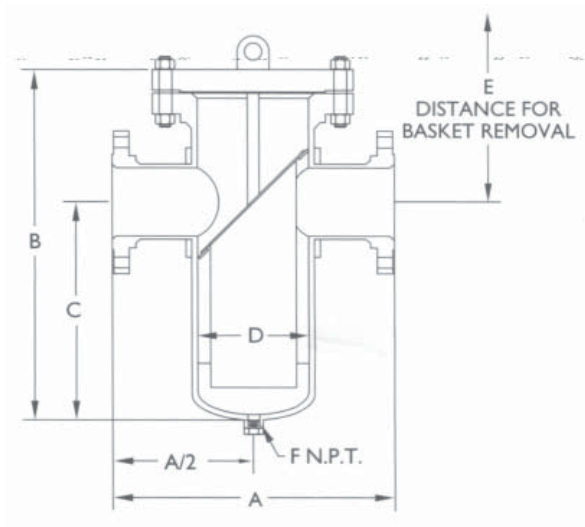
Size Range	Opening
2" - 8" 50 mm - 200 mm	0.125" 3.2 mm
10" - 12" 250 mm - 300 mm	0.125" 3.2 mm
14" - 24" 250 mm - 600 mm	.188" 4.8 mm

Size	A	B	C	D	E	F	G	Weight	
								Cover	Unit
2"	12.75	18.63	11.13	6.63	25.00	1/2	-	26	85
50mm	324	473	283	168	635	15	-	12	39
3"	14.00	20.50	12.50	8.63	28.50	3/4	2.13	45	140
80mm	356	521	318	219	724	20	54	20	63
4"	16.00	22.25	14.00	8.63	30.50	1	2.13	45	145
100mm	406	565	356	219	775	25	54	20	66
6"	20.00	26.50	17.00	10.75	36.00	1	3.00	70	205
150mm	508	673	432	273	914	25	76	32	93
8"	22.00	32.00	21.00	12.75	43.00	1 1/2	3.00	110	420
200mm	559	813	533	324	1092	40	76	50	190
10"	32.00	41.50	25.00	16.00	58.00	1 1/2	3.25	180	650
250mm	813	1054	635	406	1473	40	83	82	294
12"	35.00	44.75	28.00	18.00	61.50	1 1/2	-	220	1205
300mm	889	1137	711	457	1562	40	-	100	546
14"	37.00	48.75	33.00	20.00	64.50	2	-	285	1600
350mm	940	1238	838	508	1638	50	-	129	725
16"	42.00	54.25	36.00	24.00	72.50	2	-	430	1965
400mm	1067	1378	914	610	1842	50	-	195	890
18"	46.50	60.00	40.00	24.00	80.00	2	-	430	2200
450mm	1181	1524	1016	610	2032	50	-	195	997
20"	52.00	68.00	46.00	30.00	90.00	2	-	965	3200
500mm	1321	1727	1168	762	2286	50	-	437	1450
24"	64.00	82.75	55.00	36.00	110.50	2	-	1540	4500
600mm	1626	2102	1397	914	2807	50	-	698	2039

### Notes:

1. Vents and Differentials are optional.
2. Cover lifting lug standard on sizes 10" and larger.

## Dimensions 300# Strainer (For Certified Dimensional Prints - Consult Factory)



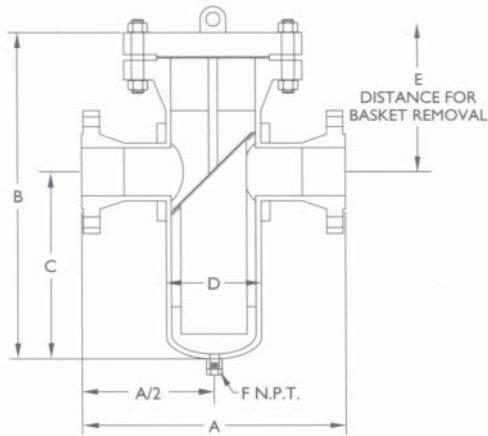
Size Range	Opening	Gauge Thickness
2" - 8" 50 mm - 200 mm	0.125" 3.2 mm	22.00
10" - 12" 250 mm - 300 mm	0.125" 3.2 mm	16
14" - 24" 250 mm - 600 mm	.188" 4.8 mm	11.00

Size	A	B	C	D	E	F	Weight	
							Cover	Unit
2"	14.88	20.00	12.00	6.63	28.00	1/2	50	195
50	378	508	305	168	711	15	23	89
3"	16.50	25.00	15.75	8.63	34.25	3/4	81	250
80	419	635	400	219	870	20	37	114
4"	18.63	26.00	15.88	8.63	36.13	1	81	300
100	473	660	403	219	918	25	37	136
6"	24.50	30.75	19.13	10.75	42.38	1	125	480
150	622	781	486	273	1076	25	57	218
8"	24.88	35.50	22.00	12.75	55.75	1 1/2	185	681
200	632	902	559	324	1416	40	84	310
10"	35.38	42.50	27.25	16.00	57.25	1 1/2	295	1100
250	899	1080	692	406	1454	40	134	500
12"	39.38	47.75	30.38	18.00	65.12	1 1/2	395	1650
300	1000	1213	772	457	1654	40	179	750
14"	41.50	52.50	33.00	20.00	72.00	2	505	2600
350	1054	1334	838	508	1829	50	229	1182
16"	47.50	60.00	38.88	24.00	81.13	2	790	2750
400	1207	1524	988	610	2061	50	358	1250

### Notes:

1. Vents and Differentials are optional.
2. Cover lifting lug standard on sizes 8" and larger.

## Dimensions 600# Strainer (For Certified Dimensional Prints - Consult Factory)



Size Range	Opening	Gauge Thickness
2" - 8" 50 mm - 200 mm	0.125" 3.2 mm	22.00
10" - 12" 250 mm - 300 mm	0.125" 3.2 mm	16
14" - 24" 250 mm - 600 mm	.188" 4.8 mm	11.00

Size	A	B	C	D	E	F	Weight	
							Cover	Unit
2"	18.38	21.88	12.00	6.63	31.75	1/2	86	245
50	467	556	305	168	806	15	39	111
3"	23.88	26.50	15.75	8.63	37.25	3/4	140	360
480	606	673	400	219	946	20	64	164
4"	23.88	29.00	17.38	8.63	44.63	1	140	400
100	606	737	441	219	1133	25	64	182
6"	29.88	36.25	21.38	10.75	51.13	1	230	825
150	759	921	543	273	1299	25	105	375
8"	37.00	38.75	23.38	12.75	54.13	1 1/2	295	1200
200	940	984	594	324	1375	40	134	545
10"	42.50	47.25	27.25	16.00	68.25	1 1/2	495	1600
250	1080	1200	692	406	1708	40	225	727
12"	44.00	53.25	30.38	18.00	76.13	1 1/2	630	1800
300	1118	1353	772	457	1934	40	286	818
14"	46.00	60.00	35.13	20.00	84.88	2	810	3000
350	1168	1524	892	508	2156	50	367	1364
16"	54.00	70.00	42.25	24.00	97.75	2	1250	3200
400	1372	1778	1073	610	2483	50	567	1455

### Notes:

1. Vents and Differentials are optional.
2. Cover lifting lug standard on sizes 6" and larger.

The contents of this publication are presented for informational purposes only, and while every effort has been made to ensure their accuracy, they are not to be construed as warranties or guarantees, express or implied, regarding the products or services described herein or their use or applicability. Brodie Meter Co., LLC reserves the right to modify or improve the designs or specifications of such products at any time without notice.