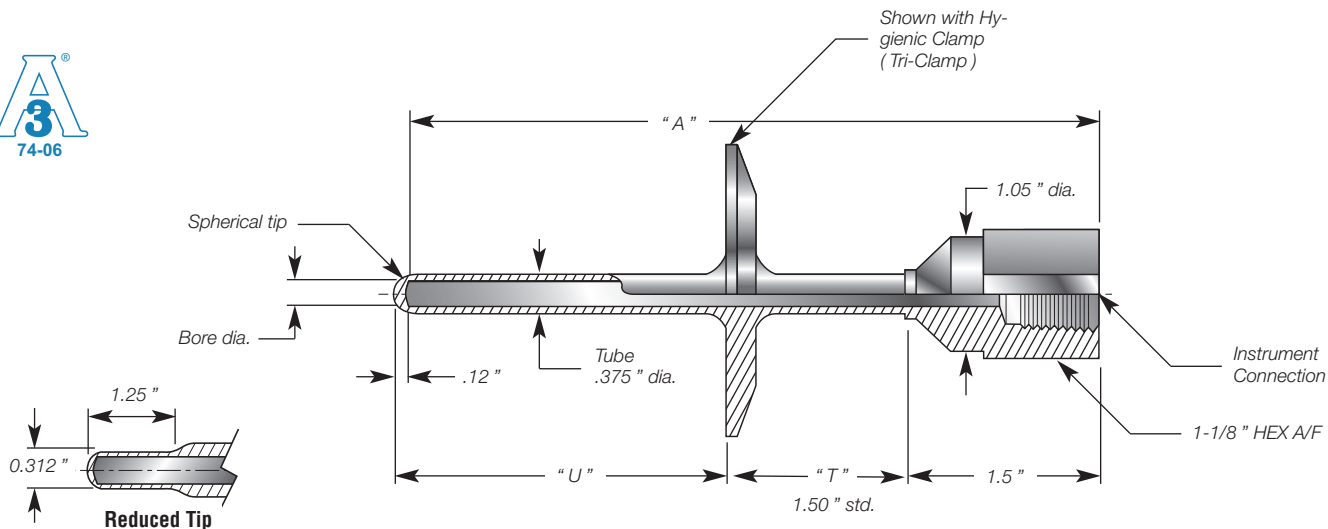


# TW810

Sanitary Thermowell  
Tube Straight Stem, Fast Response, Welded and Machined



## Cus-

MODEL    1    2    3    4    5    6    7    8    9

**TW810** -  -  -  -  -  -  -  -  -  -

BOX1 CODE	Thermowell Style
B	Straight
C	Straight, reduced tip

BOX2 CODE	Bore Size / Stem	
	Bore Dia.	Tube Dia.
DF	0.260"	0.375"
6F	0.245"	0.375"

BOX3 CODE	Thermowell Material
SA	Stainless steel 316 / 316L, dual certified
SD	Stainless steel 304 / 304L, dual certified
IA	Inconel 600
HA	Hastelloy C276

BOX4 CODE	Insertion Length "U"
025	2.5"
045	4.5"
060	6.0"
075	7.5"
090	9.0"
105	10.5"
120	12.0"
---	In 0.1" increments Ex.: 065 = 6.5" long

**Notes:**

- $A = U + T + 1.38"$
- Standard insertion lengths are shown above. Specify non-standard lengths

BOX5 CODE	Lag Extension "T"
00	No lag extension (0")
15	1.5" lag extension std.
---	In 0.1" increments Ex.: 30 = 3" long

BOX6 CODE	Process Fitting Type / Size
T10	Hygienic clamp union, 1"
T15	Hygienic clamp union, 1.5"
T20	Hygienic clamp union, 2"
T25	Hygienic clamp union, 2.5"
T30	Hygienic clamp union, 3"
T35	Hygienic clamp union, 3.5"
T40	Hygienic clamp union, 4"

BOX7 CODE	Instrument Connection
ED	1/2" NPT female (std.)
EF	1/2" NPS female

BOX8 CODE	Surface Finish
SF	32 μ-in (0.8 μm) Ra max. or better
F1	20 μ-in (0.5 μm) Ra max. w / o EP
F4	15 μ-in (0.4 μm) Ra max. with EP

BOX9 CODE	Options
N	No Options
E1	Hydrostatic pressure test
E2	Dye penetrant testing
E3	X-Ray examination
E4	Well material certificates
E5	Murdoch strength calculations
Z2	Stainless steel plug with chain
Z3	Cleaned for oxygen service