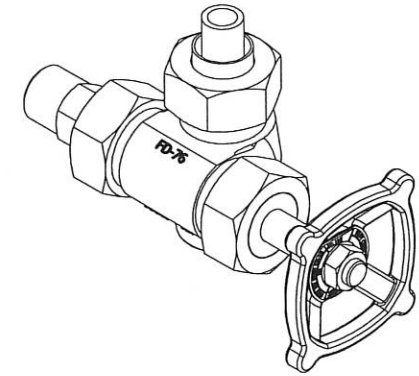


BILL OF MATERIAL (CS BODY/416SS TRIM)					BILL OF MATERIAL (316SS BODY/316SS TRIM)					BILL OF MATERIAL (ALL 316SS)				
NO.	NAME OF PART	QTY.	MATERIAL	PART NO. / SPECIFICATION	NO.	NAME OF PART	QTY.	MATERIAL	PART NO. / SPECIFICATION	NO.	NAME OF PART	QTY.	MATERIAL	PART NO. / SPECIFICATION
1	BODY, BOTTOM VALVE	1	CARBON STEEL	PER ORDER A105	1	BODY, BOTTOM VALVE	1	316/316LSS	PER ORDER A182 GR.F316/F316L	1	BODY, BOTTOM VALVE	1	316/316LSS	PER ORDER A182 GR.F316/F316L
2	STEM	1	416SS	V11955 U3 QQ-S-763	2	STEM	1	316/316LSS	V11955 TL2 A479	2	STEM	1	316/316LSS	V11955 TL2 A479
3	TAILPIECE, TANK CONN.	1	LOW TEMP CS	PER ORDER A350 GR.LF2	3	TAILPIECE, TANK CONN.	1	316/316LSS*	PER ORDER	3	TAILPIECE, TANK CONN.	1	316/316LSS*	PER ORDER
4	NUT, TAILPIECE	1	LOW TEMP CS	PER ORDER A350 GR.LF2	4	NUT, TAILPIECE	1	LOW TEMP CS	PER ORDER A350 GR.LF2	4	NUT, TAILPIECE	1	316/316LSS	PER ORDER A276 GR.F316/F316L
5	PACKING RING	1	LOW TEMP CS	P254 1 A32 A350 GR.LF2	5	PACKING RING	1	316/316LSS	P254 1 T2 A479	5	PACKING RING	1	316/316LSS	P254 1 T2 A479
6	PACKING	3	GRAPHITE/NICR	G259	6	PACKING	3	GRAPHITE/NICR	G259	6	PACKING	3	GRAPHITE/NICR	G259
7	GLAND	1	LOW TEMP CS	V10167 A32 A350 GR.LF2	7	GLAND	1	LOW TEMP CS	V10167 A32 A350 GR.LF2	7	GLAND	1	316/316LSS	V10167 T2
8	NUT, GLAND	1	LOW TEMP CS	P70 6 A32 A350 GR.LF2	8	NUT, GLAND	1	LOW TEMP CS	P70 6 A32 A350 GR.LF2	8	NUT, GLAND	1	316/316LSS	P70 6 T2 A276 GR.F316/F316L
9	BALL CHECK	1	440SS	P1 1	9	BALL CHECK	1	316SS	P1 T2 QQ-S-763	9	BALL CHECK	1	316SS	P1 T2 QQ-S-763
10	STOP, BALL CHECK	1	316SS	V13113 T	10	STOP, BALL CHECK	1	316SS	V13113 T	10	STOP, BALL CHECK	1	316SS	V13113 T
11	HANDWHEEL	1	CARBON STEEL	PD325 D1	11	HANDWHEEL	1	CARBON STEEL	PD325 D1	11	HANDWHEEL	1	CARBON STEEL	PD325 D1
12	NUT, STEM	1	CARBON STEEL	P78 6 A12 A563	12	NUT, STEM	1	CARBON STEEL	P78 6 A12 A563	12	NUT, STEM	1	316SS	P78 6 T2
13	RING, 3/4" GLASS (TOP)	1	LOW TEMP CS	P1155 3 A32 A350 GR.LF2	13	RING, 3/4" GLASS (TOP)	1	316/316LSS	P1155 3 T2	13	RING, 3/4" GLASS (TOP)	1	316/316LSS	P1155 3 T2
14	RING, 3/4" GLASS (BOT)	1	LOW TEMP CS	P1173 3 A32 A350 GR.LF2	14	RING, 3/4" GLASS (BOT)	1	316/316LSS	P1173 3 T2	14	RING, 3/4" GLASS (BOT)	1	316/316LSS	P1173 3 T2
15	PACKING, 3/4" GLASS	1	BUNA-N	G24	15	PACKING, 3/4" GLASS	1	BUNA-N	G24	15	PACKING, 3/4" GLASS	1	BUNA-N	G24
16	GASKET, 3/4" GLASS	1	TEFLON	V11211	16	GASKET, 3/4" GLASS	1	TEFLON	V11211	16	GASKET, 3/4" GLASS	1	TEFLON	V11211
17	GLAND, 3/4" GLASS	1	LOW TEMP CS	V11208 A32 A350 GR.LF2	17	GLAND, 3/4" GLASS	1	LOW TEMP CS	V11208 A32 A350 GR.LF2	17	GLAND, 3/4" GLASS	1	316/316LSS	V11208 T2
18	NUT, GLASS GLAND	1	LOW TEMP CS	P70 48 A32 A350 GR.LF2	18	NUT, GLASS GLAND	1	LOW TEMP CS	P70 48 A32 A350 GR.LF2	18	NUT, GLASS GLAND	1	316/316LSS	P70 48 T2 A276 GR.F316/F316L
19	RATING TAG	1	304SS	V22038 2	19	RATING TAG	1	304SS	V22038 2	19	RATING TAG	1	304SS	V22038 2

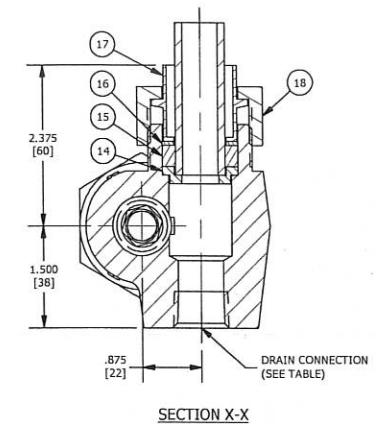
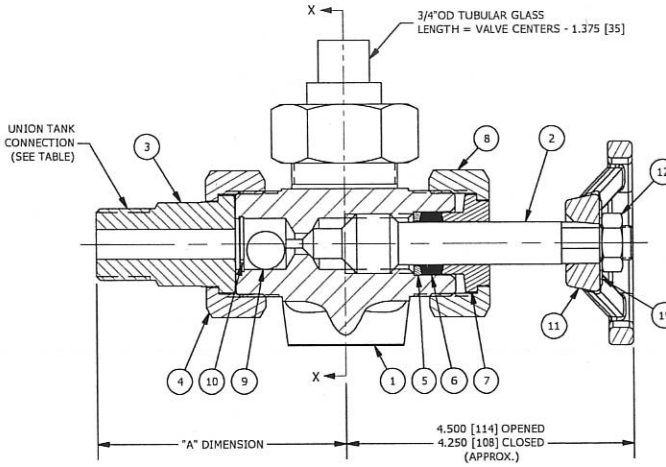
*17-4PHSS FOR SPHERICAL TAILPIECES

*17-4PHSS FOR SPHERICAL TAILPIECES



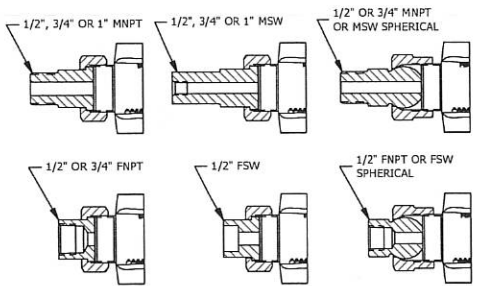
NOTES:

- DIMENSIONS IN INCHES W/ mm EQUIVALENTS IN BRACKETS
- TOP AND BOTTOM VALVES SAME EXCEPT OPPOSITE HANDING (I.E., MIRROR IMAGES) (BOTTOM LEFT HAND VALVE SHOWN)
- GUARD RODS AND/OR ACRYLIC TUBULAR PROTECTOR FURNISHED ON REQUEST
- ALSO AVAILABLE W/ 5/8" OD GAGE GLASS
- SEE TABLES FOR AVAILABLE STANDARD CONNECTIONS
- REFER TO THE FOLLOWING (FOR):
 - CATALOG BULLETIN 3100.40 (ADDITIONAL INFORMATION)
 - ICM BULLETIN J500.12 (INSTRUCTIONS)
- VALVE "TRIM" = STEM & BALL CHECK
- CONSULT FACTORY FOR ALTERNATE MATERIAL OPTIONS



UNION TANK CONNECTION ("A" DIMENSION)								
1/2" MNPT (OR MSW)	1/2" FNPT (OR FSW)	1/2" MNPT SPH. (OR MSW)	1/2" FNPT SPH. (OR FSW)	3/4" MNPT	3/4" MSW	3/4" FNPT	3/4" MNPT SPH. (OR MSW)	1" MNPT (OR MSW)
3.688 [94]	2.813 [71]	4.313 [110]	3.438 [87]	3.688 [94]	4.500 [114]	2.813 [71]	4.313 [110]	4.125 [105]

VENT / DRAIN CONNECTION	
1/2" OR 3/4" FNPT (OR FSW) ONLY	



TANK CONNECTION
(3/4" FSW UNION CONNECTION NOT AVAILABLE AS STANDARD)

MANUFACTURED BY
Clark-Reliance®
 16633 FOLTZ PARKWAY
 STRONGSVILLE, OH 44149 USA
 (440) 572-1500 | www.clarkreliance.com
 © Clark-Reliance® Corporation. All Rights Reserved.

JERGUSON®
 #136 OFFSET VALVE (PLAIN-CLOSING)
 UNION TANK CONNECTION
 W/ 3/4" OD GAGE GLASS

DRAWN: DDenk	REV.: 1
CHECKED: MK	
DATE: 7/8/2013	
REVISION: 1	
DRAWING NO.: 136	

1	2/26/2018	UPDATE BOM	JLI
REV	DATE	REVISION	BY