

## Viking Lite Series

The Viking Lite valve range is robust, versatile and combines a large flow capacity with short change-over times, designer may choose 1/8, 1/4 or 3/8 port sizes along with 24VDC and 120VAC voltage options. Viking Lite valves are fitted with dynamic bi-directional spool seals suitable for pressures up to 10 bar and ambient temperatures between -10°C to + 50°C. When in service, radial expansion of the spool seal occurs to maintain sealing contact with the valve bore. This sealing method reduces friction and produces a lower required pilot pressure. Valves do not require lubrication in operation but they can also be installed in systems that are lubricated.

### Ports

- P2LAZ: 1/8 inch NPT & BSPP, Cv = 0.6
- P2LBZ: 1/4 inch NPT & BSPP, Cv = 1.5
- P2LCZ: 3/8 inch NPT & BSPP, Cv = 2.5

### Mounting

- Inline
- IEM aluminum bar

### Solenoids

- 2.5 watts
- 22mm, 3-pin (DIN 43650)
- 24VDC and 120VAC

### • Certification / approval

- IP65 Rated, RoHS, CE

### Materials

Valve body	Anodized aluminium
End covers	Anodized aluminium
Spool	Aluminium
Piston	Acetal plastic / Anodized aluminium
End cover sealings	Nitrile rubber
End cover screws	Zinc plated steel
Springs	Stainless steel
Mounting screws for solenoid	Stainless steel
Spool seals	Nitrile

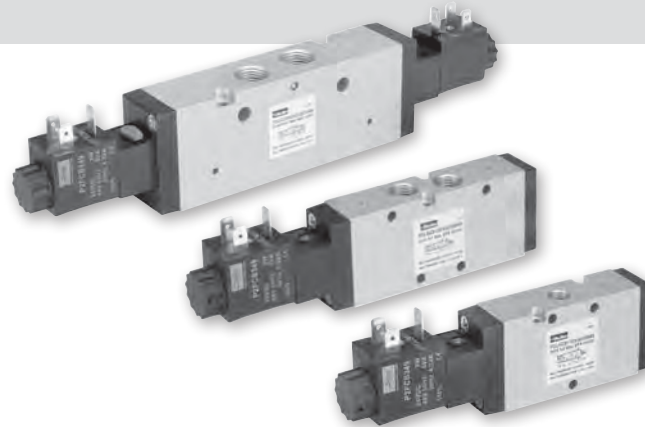
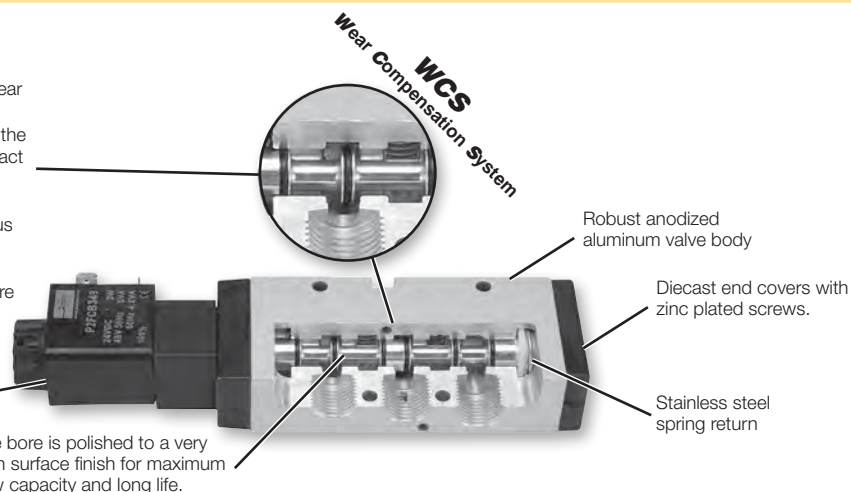
### Features

#### WCS

- Maximum Performance
  - Low friction - fast response - less wear
- Long Cycle Life
  - Under pressure, radial expansion of the seal occurs to maintain sealing contact with the valve bore
- Non-Lube Service
  - No lubrication required for continuous valve shifting
- Bi-Directional Spool Seals
  - Common spool used for any pressure

- Solenoid operated, IP65, RoHS, CE
- 90° rotation

The bore is polished to a very high surface finish for maximum flow capacity and long life.



### Operating information

Operating pressure: 145 PSIG (10 bar)  
 Minimum: See chart  
 Operating temperature: 14°F to 122°F (-10°C to 50°C)

### Minimum operating pressure, PSIG (bar)

Valve type - Internal pilot	P2LAZ	P2LBZ	P2LCZ
Single solenoid - spring return	43.5 (3.0)	43.5 (3.0)	43.5 (3.0)
Double solenoid - 2-position	22 (1.5)	22 (1.5)	22 (1.5)
Double solenoid - 3-position (APB, PC, CE)	43.5 (3.0)	43.5 (3.0)	43.5 (3.0)

### Recommended air quality for valves

For best possible service life and trouble free operation, ISO 8573-1 quality class 3.4.3 should be used. This means 5µm filter (standard filter) dew point +3°C for indoor operation (a lower dew point should be selected for outdoor operation) and oil concentration 1.0 mg oil/m<sup>3</sup>, which is what a standard compressor with a standard filter gives.

Viking Lite Series

Viking Xtreme Series

B Series

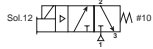
ADEX Series

N Series

D

Inline Valve Products

**3/2 - 2 Position Single Solenoid**



P2LAZ Shown

Port size	Cv	Response time (msec)	Weight lb (kg)	Voltage	Part number (NPT)	Part number (BSPP)
1/8	0.6	15 / 35	0.35 (0.16)	24VDC	<b>P2LAZ391ESNDBB49</b>	<b>P2LAZ311ESNDBB49</b>
				120VAC	<b>P2LAZ391ESNDBB53</b>	<b>P2LAZ311ESNDBB53</b>
1/4	1.5	18 / 45	0.35 (0.16)	24VDC	<b>P2LBZ392ESNDBB49</b>	<b>P2LBZ312ESNDBB49</b>
				120VAC	<b>P2LBZ392ESNDBB53</b>	<b>P2LBZ312ESNDBB53</b>
3/8	2.5	27 / 45	0.77 (0.35)	24VDC	<b>P2LCZ393ESNDBB49</b>	<b>P2LCZ313ESNDBB49</b>
				120VAC	<b>P2LCZ393ESNDBB53</b>	<b>P2LCZ313ESNDBB53</b>

Viking Lite Series

**3/2 - 2 Position Double Solenoid**

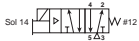


P2LAZ Shown

Port size	Cv	Response time (msec)	Weight lb (kg)	Voltage	Part number (NPT)	Part number (BSPP)
1/8	0.6	10 / 10	0.40 (0.18)	24VDC	<b>P2LAZ391EENDBB49</b>	<b>P2LAZ311EENDBB49</b>
				120VAC	<b>P2LAZ391EENDBB53</b>	<b>P2LAZ311EENDBB53</b>
1/4	1.5	12 / 12	0.40 (0.18)	24VDC	<b>P2LBZ392EENDBB49</b>	<b>P2LBZ312EENDBB49</b>
				120VAC	<b>P2LBZ392EENDBB53</b>	<b>P2LBZ312EENDBB53</b>
3/8	2.5	17 / 17	0.80 (0.36)	24VDC	<b>P2LCZ393EENDBB49</b>	<b>P2LCZ313EENDBB49</b>
				120VAC	<b>P2LCZ393EENDBB53</b>	<b>P2LCZ313EENDBB53</b>

Viking Xtreme Series

**5/2 - 2 Position Single Solenoid**



P2LAZ Shown

Port size	Cv	Response time (msec)	Weight lb (kg)	Voltage	Part number (NPT)	Part number (BSPP)
1/8	0.6	15 / 35	.037 (0.17)	24VDC	<b>P2LAZ591ESNDBB49</b>	<b>P2LAZ511ESNDBB49</b>
				120VAC	<b>P2LAZ591ESNDBB53</b>	<b>P2LAZ511ESNDBB53</b>
1/4	1.5	18 / 45	0.44 (0.20)	24VDC	<b>P2LBZ592ESNDBB49</b>	<b>P2LBZ512ESNDBB49</b>
				120VAC	<b>P2LBZ592ESNDBB53</b>	<b>P2LBZ512ESNDBB53</b>
3/8	2.5	27 / 45	0.95 (0.43)	24VDC	<b>P2LCZ593ESNDBB49</b>	<b>P2LCZ513ESNDBB49</b>
				120VAC	<b>P2LCZ593ESNDBB53</b>	<b>P2LCZ513ESNDBB53</b>

B Series

ADEX Series

**5/2 - 2 Position Double Solenoid**



P2LAZ Shown

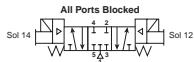
Port size	Cv	Response time (msec)	Weight lb (kg)	Voltage	Part number (NPT)	Part number (BSPP)
1/8	0.6	10 / 10	.042 (0.19)	24VDC	<b>P2LAZ591EENDBB49</b>	<b>P2LAZ511EENDBB49</b>
				120VAC	<b>P2LAZ591EENDBB53</b>	<b>P2LAZ511EENDBB53</b>
1/4	1.5	12 / 12	0.46 (0.21)	24VDC	<b>P2LBZ592EENDBB49</b>	<b>P2LBZ512EENDBB49</b>
				120VAC	<b>P2LBZ592EENDBB53</b>	<b>P2LBZ512EENDBB53</b>
3/8	2.5	17 / 17	0.97 (0.44)	24VDC	<b>P2LCZ593EENDBB49</b>	<b>P2LCZ513EENDBB49</b>
				120VAC	<b>P2LCZ593EENDBB53</b>	<b>P2LCZ513EENDBB53</b>

N Series

D

Inline Valve Products

**5/3 - 3 Position, All Ports Blocked**



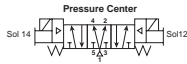
P2LAZ Shown

Port size	Cv	Response time (msec)	Weight lb (kg)	Voltage	Part number (NPT)	Part number (BSPP)
1/8	0.6	18 / 40	0.57 (0.26)	24VDC	<b>P2LAZ691EENDBB49</b>	<b>P2LAZ611EENDBB49</b>
				120VAC	<b>P2LAZ691EENDBB53</b>	<b>P2LAZ611EENDBB53</b>
1/4	1.5	22 / 55	0.62 (0.28)	24VDC	<b>P2LBZ692EENDBB49</b>	<b>P2LBZ612EENDBB49</b>
				120VAC	<b>P2LBZ692EENDBB53</b>	<b>P2LBZ612EENDBB53</b>
3/8	2.5	30 / 90	1.32 (0.60)	24VDC	<b>P2LCZ693EENDBB49</b>	<b>P2LCZ613EENDBB49</b>
				120VAC	<b>P2LCZ693EENDBB53</b>	<b>P2LCZ613EENDBB53</b>

Most popular. **Notes:** Response time: Actuate to 90% pressure / return to exhaust to 10% of supply pressure. 93 PSIG (6.3 bar) / temperature 68°F (20°C)



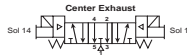
**5/3 - 3 Position, Pressure Center**



P2LAZ Shown

Port size	Cv	Response time (msec)	Weight lb (kg)	Voltage	Part number (NPT)	Part number (BSPP)
1/8	0.6	18 / 40	0.57 (0.26)	24VDC	<b>P2LAZ791EENDBB49</b>	<b>P2LAZ711EENDBB49</b>
				120VAC	<b>P2LAZ791EENDBB53</b>	<b>P2LAZ711EENDBB53</b>
1/4	1.5	22 / 55	0.62 (0.28)	24VDC	<b>P2LBZ792EENDBB49</b>	<b>P2LBZ712EENDBB49</b>
				120VAC	<b>P2LBZ792EENDBB53</b>	<b>P2LBZ712EENDBB53</b>
3/8	2.5	30 / 90	1.32 (0.60)	24VDC	<b>P2LCZ793EENDBB49</b>	<b>P2LCZ713EENDBB49</b>
				120VAC	<b>P2LCZ793EENDCB53</b>	<b>P2LCZ713EENDBB53</b>

**5/3 - 3 Position, Center Exhaust**



P2LAZ Shown

Port size	Cv	Response time (msec)	Weight lb (kg)	Voltage	Part number (NPT)	Part number (BSPP)
1/8	0.6	18 / 40	0.57 (0.26)	24VDC	<b>P2LAZ891EENDBB49</b>	<b>P2LAZ811EENDBB49</b>
				120VAC	<b>P2LAZ891EENDBB53</b>	<b>P2LAZ811EENDBB53</b>
1/4	1.5	22 / 55	0.62 (0.28)	24VDC	<b>P2LBZ892EENDBB49</b>	<b>P2LBZ812EENDBB49</b>
				120VAC	<b>P2LBZ892EENDBB53</b>	<b>P2LBZ812EENDBB53</b>
3/8	2.5	30 / 90	1.32 (0.60)	24VDC	<b>P2LCZ893EENDBB49</b>	<b>P2LCZ813EENDBB49</b>
				120VAC	<b>P2LCZ893EENDBB53</b>	<b>P2LCZ813EENDBB53</b>

**Notes:** Response time: Actuate to 90% pressure / return to exhaust to 10% of supply pressure. 93 PSIG (6.3 bar) / temperature 68°F (20°C)

**Single & Double Solenoid Operated Valves**

P2L A Z 5 91 E S N D C B 49

**Valve size**

1/8"	A
1/4"	B
3/8"	C

**Series**

Viking Lite	Z
-------------	---

**Valve type / function**

<i>Internal pilot supply to solenoid</i>	
3/2 NC - 2-position	3
5/2 2-position	5
5/3 3-position, APB	6
5/3 3-position, PC	7
5/3 3-position, CE	8

**Main port thread**

G1/8 (P2LA)	11
G1/4 (P2LB)	12
G3/8 (P2LC)	13
1/8" NPT (P2LA)	91
1/4" NPT (P2LB)	92
3/8" NPT (P2LC)	93

**12 End operator**

E	Double solenoid operated valve
S*	Single solenoid spring return

**Voltage / frequency**

49	24VDC
53	120VAC
Blank	Valve less coil

**Enclosures / lead length**

B	22mm rectangular 3-pin - type B industrial (male only)
N	Valve less coil

**Overrides**

C	Extended - locking
B	Flush - non-locking

**Solenoid pilot type**

D	Pilot exhaust vented
---	----------------------

**Valve type**

N	14°F to 122°F (-10°C to 50°C)
---	-------------------------------

\* Not available with 3-position valves.

  Most popular.



Viking Lite Series  
 Viking Xtreme Series  
 B Series  
 ADEX Series  
 N Series  
 D  
 Inline Valve Products

**IEM Bar Manifold, Inline Valve Only\***



Valve series	Valve function	# of Stations	Weight lb (kg)	Manifold only (NPT)	Manifold only (BSPP)
P2LAZ / P2LBZ	3-way	2	0.84 (0.38)	<b>91213202SXZN</b>	<b>91213202SXZ</b>
P2LAZ / P2LBZ	3-way	4	1.41 (0.64)	<b>91213204SXZN</b>	<b>91213204SXZ</b>
P2LAZ / P2LBZ	3-way	6	1.96 (0.89)	<b>91213206SXZN</b>	<b>91213206SXZ</b>
P2LAZ / P2LBZ	3-way	8	2.54 (1.15)	<b>91213208SXZN</b>	<b>91213208SXZ</b>
P2LAZ / P2LBZ	3-way	10	3.09 (1.40)	<b>91213210SXZN</b>	<b>91213210SXZ</b>

Kits include: Manifold, valve hold down bolts, gaskets.



Valve series	Valve function	# of Stations	Weight lb (kg)	Manifold only (NPT)	Manifold only (BSPP)
P2LAZ	4-way	2	0.68 (0.31)	<b>9121658068N</b>	<b>9121658068</b>
P2LAZ	4-way	4	1.06 (0.48)	<b>9121658075N</b>	<b>9121658075</b>
P2LAZ	4-way	6	1.39 (0.63)	<b>9121658076N</b>	<b>9121658076</b>
P2LAZ	4-way	8	1.76 (0.80)	<b>9121658077N</b>	<b>9121658077</b>
P2LAZ	4-way	10	2.16 (0.98)	<b>9121658078N</b>	<b>9121658078</b>

Kits include: Manifold, valve hold down bolts, gaskets.



Valve series	Valve function	# of Stations	Weight lb (kg)	Manifold only (NPT)	Manifold only (BSPP)
P2LBZ	4-way	2	1.53 (0.69)	<b>9121594805XN</b>	<b>9121594805X</b>
P2LBZ	4-way	4	2.49 (1.13)	<b>9121594806XN</b>	<b>9121594806X</b>
P2LBZ	4-way	6	3.44 (1.56)	<b>9121594807XN</b>	<b>9121594807X</b>
P2LBZ	4-way	8	4.41 (2.00)	<b>9121594808XN</b>	<b>9121594808X</b>
P2LBZ	4-way	10	5.40 (2.45)	<b>9121594812XN</b>	<b>9121594812X</b>

Kits include: Manifold, valve hold down bolts, gaskets.

\* For odd number of stations, consider Viking Xtreme bar manifold.

**IEM Bar Manifold, Inline Valve Only**



Valve series	Valve function	# of Stations	Manifold only (NPT)	Manifold only (BSPP)
P2LCZ	4-way	Use Viking Xtreme IEM bar manifold		

**Note:** P2LCZ 3-way has no IEM manifold

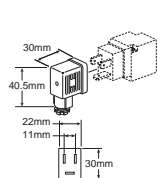
**Manifold Accessories / Parts**



Valve series	Description	Weight lb (kg)	Kit number
P2LAZ / P2LBZ *	3-way: Blanking kit with mounting screws (2)	0.22 (0.10)	<b>912132BPSXZ</b>
P2LAZ *	4-way: Blanking kit with mounting screws (2)	0.11 (0.05)	<b>9121658063</b>
P2LBZ *	4-way: Blanking kit with mounting screws (2)	0.04 (0.02)	<b>9121594809X</b>

\*Note: O-ring for blanking kit included with manifold. For replacement o-rings or fastener bolts, use Viking Xtreme Kits.

**22mm Rectangular 3-Pin – Type B Industrial (Use with Enclosure “B”)**



Description	Connector with 6' (2m) cord	Connector
Unlighted	<b>PS2429JBP</b>	<b>PS2429BP</b>
Light – 24VDC	<b>PS2430J79BP*</b>	<b>PS243079BP</b>
Light – 120V/60Hz	<b>PS2430J83BP*</b>	<b>PS243083BP</b>

\* LED with surge suppression.

**Note:** Max ø6.5mm cable size required for connector w/o 6' (2m) cord. IP65 rated when properly installed.

**Engineering data:**

conductors: 2 poles plus ground; cable range (connector only): 6 to 8mm (0.24 To 0.31 Inch); contact spacing: 11mm

Most popular.

**Valve Less Coil**

Remove the last 3 digits of the part number of the full valve and add “N” at the end for valve less coil.



**Part number example :**  
**P2LBZ592ESNDBBB49**  
 valve with 24VDC solenoid  
**P2LBZ592ESNDBN** valve less coil

**Replacement Solenoid Coil**



Description	Part number
24VDC coil kit	<b>P2FCB449</b>
110VAC coil kit	<b>P2FCB453</b>

**Replacement Solenoid Nut**



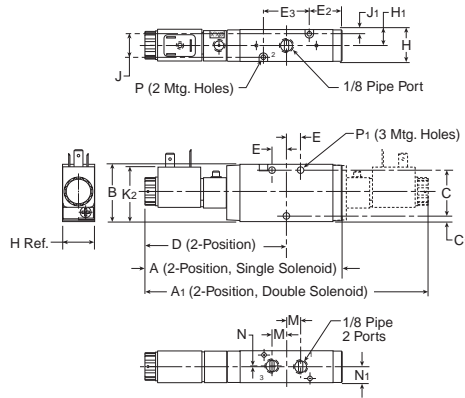
**Description** Solenoid diffuser nut  
**Part number** **PS1556**



**Description** Solenoid vented nut  
**Part number** **PS2892P**



**P2LAZ 3/2 Single & Double Operators – Solenoid**

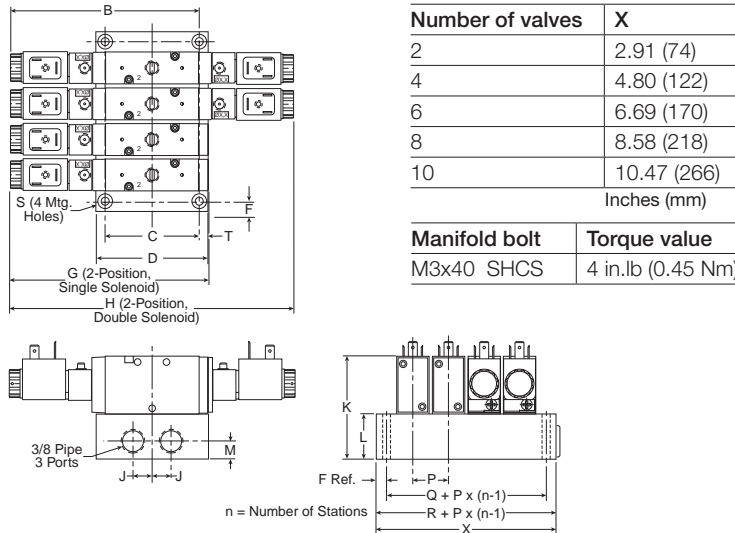


**P2LAZ 3/2 (solenoid)**

<b>A</b>	<b>A1</b>	<b>B</b>	<b>C</b>	<b>C1</b>
5.35 (136)	7.68 (195)	1.57 (40)	1.26 (32)	.16 (4)
<b>D</b>	<b>E</b>	<b>E2</b>	<b>E3</b>	<b>H</b>
3.84 (97.5)	.39 (10)	.91 (23)	1.26 (32)	.87 (22)
<b>H1</b>	<b>J</b>	<b>J1</b>	<b>K2</b>	<b>M</b>
.43 (11)	.65 (16.5)	.11 (2.75)	1.50 (38)	.39 (10)
<b>N</b>	<b>N1</b>	<b>P</b>	<b>P1</b>	
.02 (.5)	.43 (11)	Ø .12 Ø (3.1)	Ø .17 Ø (4.3)	

Inches (mm)

**P2LAZ 3/2 Single & Double Operators – IEM Aluminum Bar Manifold**

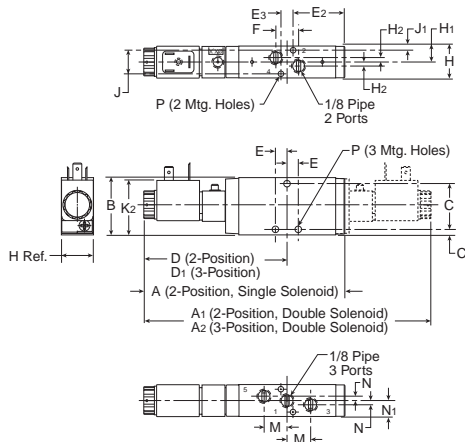


**P2LAZ 3/2  
IEM Aluminum bar manifold**

<b>B</b>	<b>C</b>	<b>D</b>	<b>F</b>	<b>G</b>
5.06 (128.5)	2.44 (62)	2.99 (76)	.28 (7)	5.35 (136)
<b>H</b>	<b>J</b>	<b>K</b>	<b>L</b>	<b>M</b>
7.68 (195)	.51 (13)	2.78 (70.5)	1.20 (30.5)	.47 (12)
<b>P</b>	<b>Q</b>	<b>R</b>	<b>S</b>	<b>T</b>
.94 (24)	1.42 (36)	1.97 (50)	Ø .22 Ø (5.5)	.88 (7)

Inches (mm)

**P2LAZ 5/2 & 5/3 Single & Double Operators – Solenoid**



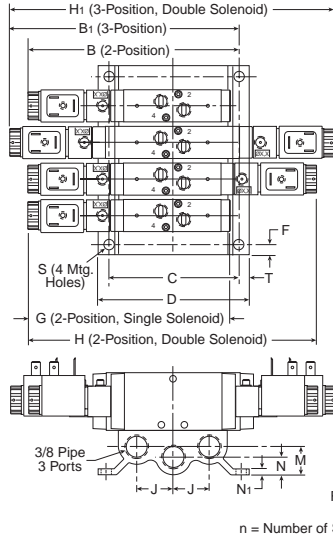
**P2LAZ 5/2 & 5/3 (solenoid)**

<b>A</b>	<b>A1</b>	<b>A2</b>	<b>B</b>	<b>C</b>
5.47 (139)	7.76 (197)	8.70 (221)	1.57 (40)	1.30 (33)
<b>C1</b>	<b>D</b>	<b>D1</b>	<b>E</b>	<b>E2</b>
.14 (3.5)	3.88 (98.5)	4.35 (110.5)	.31 (8)	1.86 (47.3)
<b>E3</b>	<b>F</b>	<b>H</b>	<b>H1</b>	<b>H2</b>
.33 (8.5)	.63 (16)	.87 (22)	.43 (11)	.12 (3)
<b>J</b>	<b>J1</b>	<b>K2</b>	<b>M</b>	<b>N</b>
.63 (16)	.12 (3)	1.50 (38)	.63 (16)	.12 (3)
<b>N1</b>	<b>P</b>			
.43 (11)	Ø .16 Ø (4.1)			

Inches (mm)



**P2LAZ 5/2 & 5/3 Single & Double Operators – IEM Aluminum Bar Manifold**



Number of valves	X
2	3.07 (78)
4	4.96 (126)
6	6.85 (174)
8	8.74 (222)
10	10.63 (270)
Inches (mm)	
Manifold bolt	Torque value
M4x45 Screw MRX	9 in.lb (0.75 Nm)

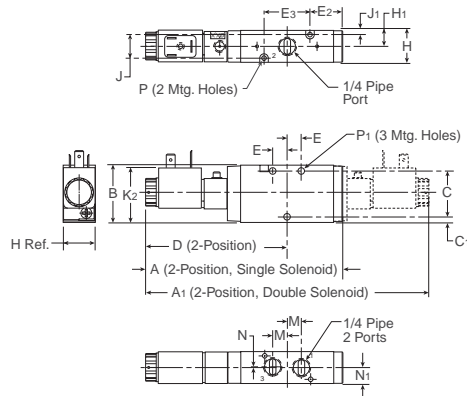
**P2LAZ 5/2 & 5/3**  
**IEM Aluminum bar manifold**

B	B <sub>1</sub>	C	D	F
5.10 (149.5)	6.36 (161.5)	3.46 (88)	4.02 (102)	.28 (7)
G	H	H <sub>1</sub>	J	K
5.47 (139)	7.76 (197)	8.70 (221)	.96 (24.5)	2.76 (70)
L	M	N	N <sub>1</sub>	P
1.18 (30)	.75 (19)	.47 (12)	.16 (4)	.94 (24)
Q	R	S	T	
1.57 (40)	2.13 (54)	∅.28 ∅ (7)	.28 (7)	
Inches (mm)				

Viking Lite Series

Viking Xtreme Series

**P2LBZ 3/2 Single & Double Operators – Solenoid**



**P2LBZ 3/2 (solenoid)**

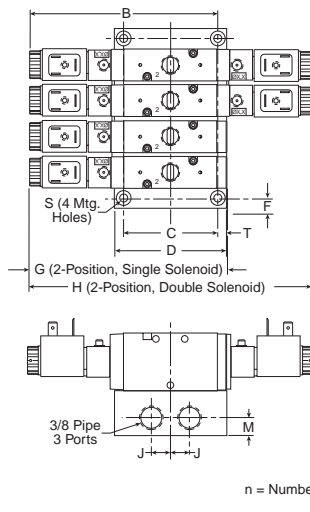
A	A <sub>1</sub>	B	C	C <sub>1</sub>
5.35 (136)	7.68 (195)	1.57 (40)	1.26 (32)	.16 (4)
D	E	E <sub>2</sub>	E <sub>3</sub>	H
3.84 (97.5)	.39 (10)	.91 (23)	1.26 (32)	.87 (22)
H <sub>1</sub>	J	J <sub>1</sub>	K <sub>2</sub>	M
.43 (11)	.65 (16.5)	.11 (2.75)	1.50 (38)	.39 (10)
N	N <sub>1</sub>	P	P <sub>1</sub>	
.02 (.5)	.43 (11)	∅.12 ∅ (3.1)	∅.17 ∅ (4.3)	
Inches (mm)				

B Series

ADEX Series

N Series

**P2LBZ 3/2 Single & Double Operators – IEM Aluminum Bar Manifold**



Number of valves	X
2	2.91 (74)
4	4.80 (122)
6	6.69 (170)
8	8.58 (218)
10	10.47 (266)
Inches (mm)	
Manifold bolt	Torque value
M3x40 SCHS	4 in.lb (0.45 Nm)

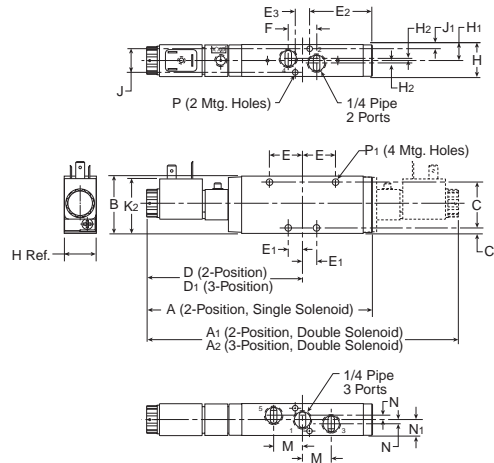
**P2LBZ 3/2**  
**IEM Aluminum bar manifold**

B	C	D	F	G
5.06 (128.5)	2.44 (62)	2.99 (76)	.28 (7)	5.35 (136)
H	J	K	L	M
7.68 (195)	.51 (13)	2.78 (70.5)	1.20 (30.5)	.47 (12)
P	Q	R	S	T
.94 (24)	1.42 (36)	1.97 (50)	∅.22 ∅ (5.5)	.88 (7)
Inches (mm)				

D

Inline Valve Products

**P2LBZ 5/2 & 5/3 Single & Double Operators – Solenoid**

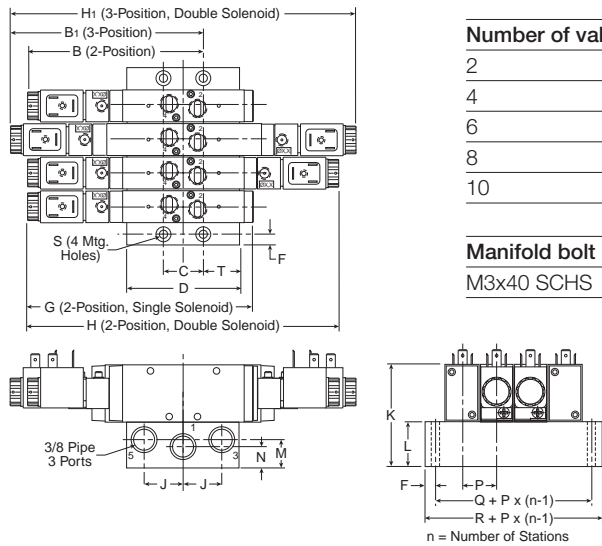


**P2LBZ 5/2 & 5/3 (solenoid)**

A	A1	A2	B	C
6.14 (156)	8.46 (215)	9.29 (236)	1.57 (40)	1.26 (32)
C1	D	D1	E	E1
.16 (4)	4.23 (107.5)	4.65 (118)	.91 (23)	.39 (10)
E2	E3	F	H	H1
1.14 (29)	.39 (10)	.79 (20)	.87 (22)	.43 (11)
H2	J	J1	K2	M
.06 (1.5)	.65 (16.5)	.11 (2.8)	1.50 (38)	.79 (20)
N	N1	P	P1	
.08 (2)	.43 (11)	Ø .12 (3.1)	Ø .17 (4.3)	

Inches (mm)

**P2LBZ 5/2 & 5/3 Single & Double Operators – IEM Aluminum Bar Manifold**



Number of valves	X
2	2.91 (74)
4	4.80 (122)
6	6.69 (170)
8	8.58 (218)
10	10.47 (266)

Inches (mm)

Manifold bolt	Torque value
M3x40 SCHS	9 in.lb (0.75 Nm)

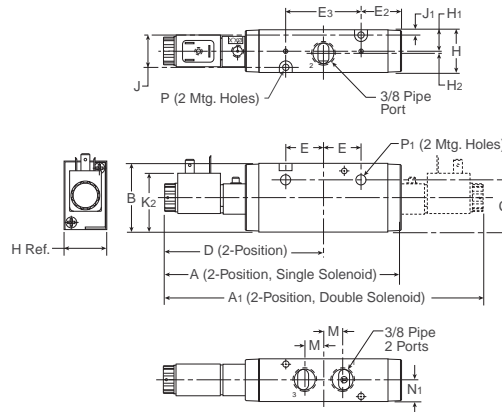
**P2LBZ 5/2 & 5/3**

**IEM Aluminum bar manifold**

B	B1	C	D	F
4.43 (112.5)	4.84 (123)	1.04 (26.5)	2.99 (76)	.28 (7)
G	H	H1	J	K
6.14 (156)	8.46 (215)	9.29 (236)	1.02 (26)	2.781 (70.5)
L	M	N	P	Q
1.20 (30.5)	.75 (19)	.57 (14.5)	.94 (24)	1.57 (40)
R	S	T		
1.97 (50)	Ø .22 (5.5)	.97 (25)		

Inches (mm)

**P2LCZ 3/2 Single & Double Operators – Solenoid**

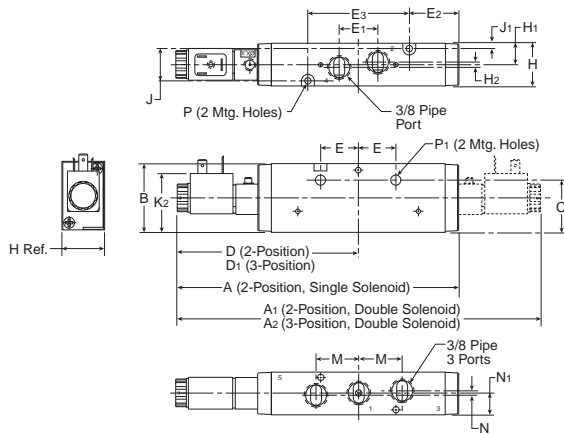


**P2LCZ 3/2 (solenoid)**

A	A1	B	C	D
6.50 (165)	8.66 (220)	1.89 (48)	1.46 (37)	4.33 (110)
E	E2	E3	H	H1
1.04 (26.5)	1.10 (28)	2.09 (53)	1.18 (30)	.59 (15)
H2	J	J1	K2	M
.06 (1.55)	.91 (23)	.14 (3.5)	1.50 (38)	.53 (13.5)
N1	P	P1		
.59 (15)	Ø .17 (4.4)	Ø .27 (6.9)		

Inches (mm)

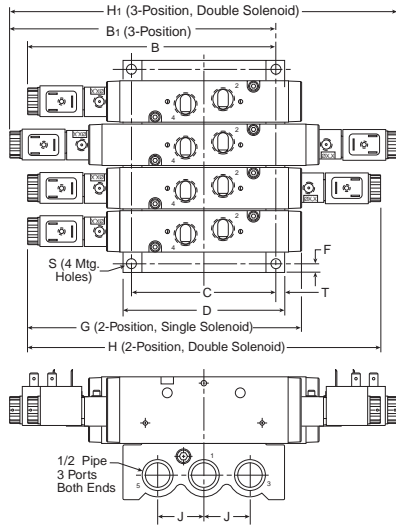
**P2LCZ 5/2 & 5/3 Single & Double Operators – Solenoid**



**P2LBZ 5/2 & 5/3 (solenoid)**

<b>A</b>	<b>A1</b>	<b>A2</b>	<b>B</b>	<b>C</b>
7.68 (195)	9.88 (251)	10.70 (272)	1.89 (48)	1.46 (37)
<b>D</b>	<b>D1</b>	<b>E</b>	<b>E1</b>	<b>E2</b>
4.94 (125.5)	5.35 (136)	1.04 (26.5)	1.06 (27)	1.71 (43.5)
<b>E3</b>	<b>H</b>	<b>H1</b>	<b>H2</b>	<b>J</b>
2.80 (71)	1.18 (30)	.59 (15)	.12 (.3)	.91 (23)
<b>J1</b>	<b>K2</b>	<b>M</b>	<b>N</b>	<b>N1</b>
.14 (3.5)	1.50 (38)	1.18 (30)	.08 (2)	.59 (15)
<b>P</b>	<b>P1</b>			
Ø .17 Ø (4.4)	Ø .27 Ø (6.9)			
Inches (mm)				

**P2LCZ 5/2 & 5/3 Single & Double Operators – IEM Aluminum Bar Manifold**

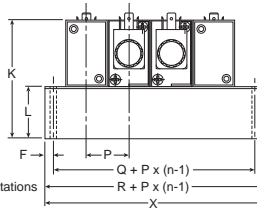


<b>Number of valves</b>	<b>X</b>
2	3.29 (84)
4	5.96 (152)
6	8.44 (215)
8	10.93 (278)
10	13.41 (341)
Inches (mm)	

<b>Manifold bolt</b>	<b>Torque value</b>
M4x50 SCHS	15 in.lb (2.0 Nm)

**P2LCZ 5/2 & 5/3  
 IEM Aluminum bar manifold**

<b>C</b>	<b>D</b>	<b>F</b>	<b>G</b>	<b>H</b>
3.97 (101)	4.41 (112)	.24 (6)	7.68 (195)	9.88 (251)
<b>H1</b>	<b>J</b>	<b>K</b>	<b>L</b>	<b>P</b>
10.70 (272)	1.26 (32)	3.43 (87)	1.54 (39)	1.24 (31.5)
<b>Q</b>	<b>R</b>	<b>S</b>	<b>T</b>	
1.77 (45)	2.24 (57)	Ø .26 Ø (6.5)	.24 (6)	
Inches (mm)				



n = Number of Stations

Viking Lite Series  
 Viking Xtreme Series  
 B Series  
 ADEX Series  
 N Series  
 D Inline Valve Products